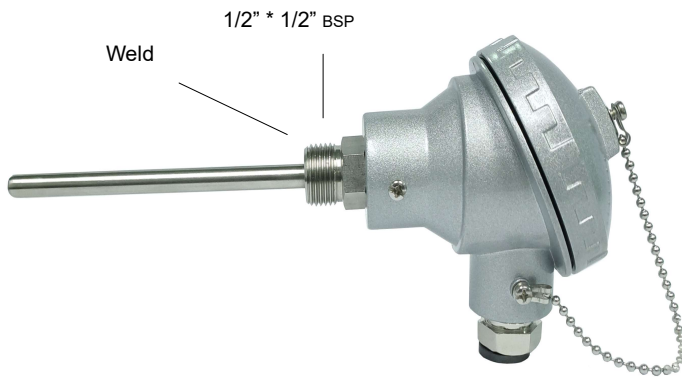
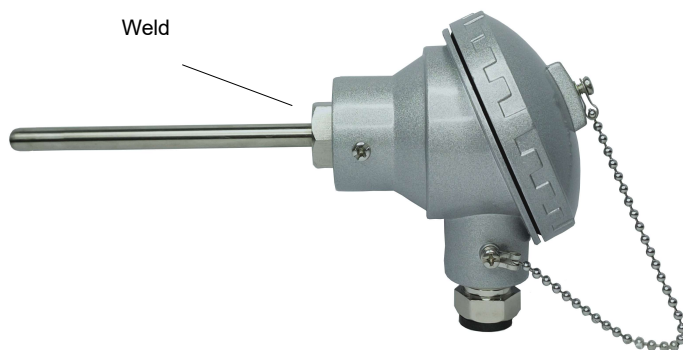


Thermocouple Probes with Connection Head

A1MJ & K-CXX- 01 & 04



A1MJ & K-CXX- 02



Overview

- All temperature sensors are custom made standard item
- Probe
 - Type J or K thermocouple elements to meet many temperature sensing applications
 - Ø3.2& 6.35mm diameter, 316 SS or Inconel Alloy 600 sealed sheath to protect against harsh environments
 - Magnesium Oxide (MgO) insulation provides vibrationdampening and protection against thermal shock
 - Bendable to adapt to installation requirements
 - 150mm , 300mm or 450mm probe length
- Connection Head
 - Cast aluminum IP67 screw cover head with captive gasket
 - One turn cover removal & installation eliminates cross threading and saves time
 - 1/2" BSP conduit opening with internal stop to prevent overtightening and installation damage
 - Gripping ribs on cover edge
 - with cover chain
- Wiring
 - Ceramic terminal block
 - Brass terminals with screws eliminate the need to wrap connections around screws
- Others
 - Required others type of thermocouple ,specification & temperature range can be custom made upon request.

Thermocouple Probes with Connection Head - Types J and K

| Part No. | Type | Probe Diameter (O.D.) | Probe Length | Probe Material | Temperature Sensing Range | Mounting |
|-------------|------|-----------------------|--------------|-------------------|---------------------------|---------------------------------|
| A1MJ-C06-01 | J | 6.35mm | 150mm | 316SS | 0 to 250°C | Integral 1/2"x1/2"BSP 304 SS |
| A1MJ-C12-01 | J | 6.35mm | 300mm | 316SS | 0 to 250°C | |
| A1MJ-C18-01 | J | 6.35mm | 450mm | 316SS | 0 to 250°C | |
| A1MK-C06-01 | K | 6.35mm | 150mm | 316SS | 0 to 400°C | - |
| A1MK-C12-01 | K | 6.35mm | 300mm | 316SS | 0 to 400°C | |
| A1MK-C18-01 | K | 6.35mm | 450mm | 316SS | 0 to 400°C | |
| A1MJ-C06-02 | J | 6.35mm | 150mm | 316SS | 0 to 250°C | - |
| A1MJ-C12-02 | J | 6.35mm | 300mm | 316SS | 0 to 250°C | |
| A1MJ-C18-02 | J | 6.35mm | 450mm | 316SS | 0 to 250°C | |
| A1MK-C06-02 | K | 6.35mm | 150mm | 316SS | 0 to 400°C | - |
| A1MK-C12-02 | K | 6.35mm | 300mm | 316SS | 0 to 400°C | |
| A1MK-C18-02 | K | 6.35mm | 450mm | 316SS | 0 to 400°C | |
| A1MK-C06-04 | K | 3.20mm | 150mm | Inconel alloy 600 | 0 to 1,000°C | Integral 1/2"x1/2"BSP 304 SS |
| A1MK-C12-04 | K | 3.20mm | 300mm | Inconel alloy 600 | 0 to 1,000°C | |
| A1MK-C18-04 | K | 3.20mm | 450mm | Inconel alloy 600 | 0 to 1,000°C | |

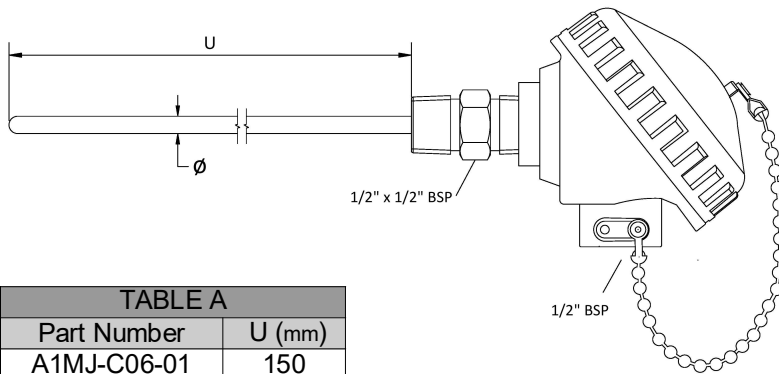
Technical Specifications

| | |
|----------------------------------|---|
| Junction Type | Grounded |
| Probe | Ø3.2mm, Ø6.35mm , 316 s/steel or inconel alloy 600 sheath, single thermocouple element is embedded in MgO powder. |
| Minimum Installation Dept | (76mm) |
| Connection Head | Die-cast aluminium ,screw cover with chain, compressed gasket, IP67, 1/2" BSP conduit opening |
| Wiring | Ceramic terminal base with brass terminals and screws |

Thermocouple Probes with Connection Head

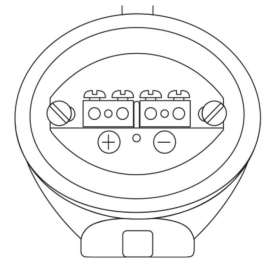
Dimension : (mm)

A1MJ & K-CXX- 01 & 04



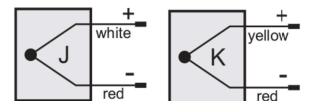
| Part Number | U (mm) |
|-------------|--------|
| A1MJ-C06-01 | 150 |
| A1MJ-C12-01 | 300 |
| A1MJ-C18-01 | 450 |
| A1MK-C06-01 | 150 |
| A1MK-C12-01 | 300 |
| A1MK-C18-01 | 450 |
| A1MK-C06-04 | 150 |
| A1MK-C12-04 | 300 |
| A1MK-C18-04 | 450 |

Wiring Information

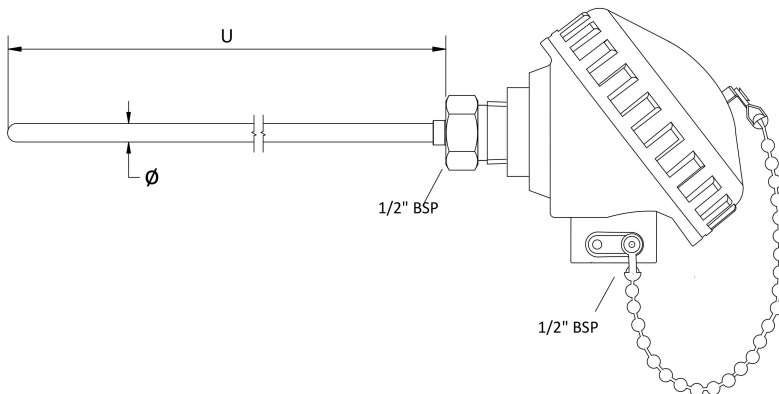


Type J: (+) white (-) red
Type K: (+) yellow (-) red

- Must use thermocouple extension lead wire, see end of this section
- Observe polarity when making connections
- Do not use standard wire nuts
- Recommended screw terminal tightening torque 3-4 lb-in



A1MJ & K-CXX- 02



| Part Number | U (mm) |
|-------------|--------|
| A1MJ-C06-02 | 150 |
| A1MJ-C12-02 | 300 |
| A1MJ-C18-02 | 450 |
| A1MK-C06-02 | 150 |
| A1MK-C12-02 | 300 |
| A1MK-C18-02 | 450 |