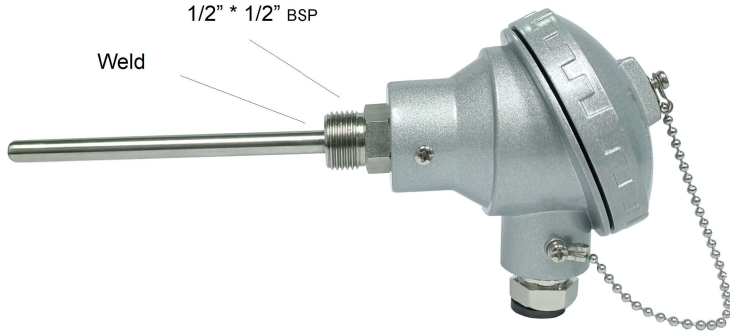
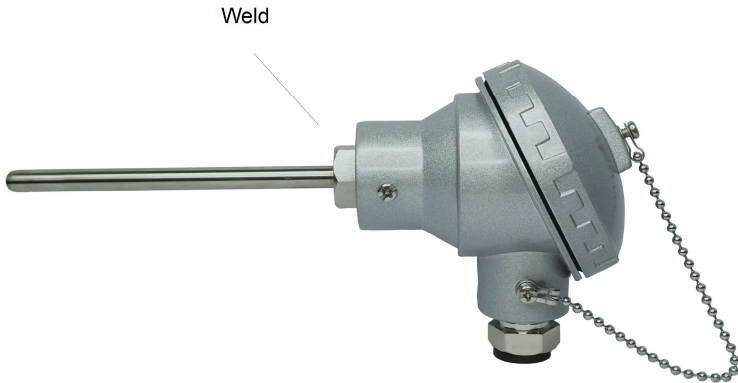


## RTD Probes with Connection Head

**A1RTD1-CXX -01**



**A1RTD1-CXX -02**



### Overview

- All temperature sensors are custom made standard item
  - 100 ohm platinum RTD 3-wire element
  - Class A accuracy
  - Ø6.35mm diameter, 316 SS sheath to protect against harsh environments
  - RTD element encased in Magnesium Oxide (MgO) powder insulation provides excellent vibration dampening and heat transfer
  - 150mm , 300mm or 450mm probe length
- Connection Head
  - Cast aluminum IP67 screw cover head with gasket
  - One turn cover removal & installation eliminates cross threading and saves time
  - ½”BSP conduit opening with internal stop to prevent overtightening and installation damage
  - Gripping ribs on cover edge
  - with cover chain
- Wiring
  - Ceramic terminal block
  - Brass terminals with screws eliminate the need to wrap connections around screws
- Others
  - Required others type of RTD sensors ,specification & temperature range can be custom made upon request.

### RTD Probes with Connections Head

Part Number	RTD Type	Probe Diameter ( O.D)	Probe Length	Temperature Sensing Range	Mounting
A1RTD1-C06-01	PT 100 3 wire	6.35mm	150mm	-200 to 300°c	Integral 1/2" x 1/2" BSP 304 SS
A1RTD1-C12-01			300mm		
A1RTD1-C18-01			450mm		
A1RTD1-C06-02			150mm		-
A1RTD1-C12-02			300mm		
A1RTD1-C18-02			450mm		

### Technical Specifications

<b>Sensing Element</b>	Single 100 ohm (PT 100) , 3 wire
<b>Initial Accuracy</b>	Class A +/- [0.15 + 0.002  t  ] ° C
<b>Probe</b>	Ø6.35mm ,316 stainless steel sheath,single RTD is embedded in MgO powder
<b>Minimum Installation Depth</b>	76mm length
<b>Connection Head</b>	Die-cast aluminum,screw cover with chain,IP 67, 1/2”BS P conduit opening
<b>Wiring</b>	Ceramic terminals base terminals and screw

## RTD Probes with Connection Head

### Dimension

#### A1RTD1-CXX -01

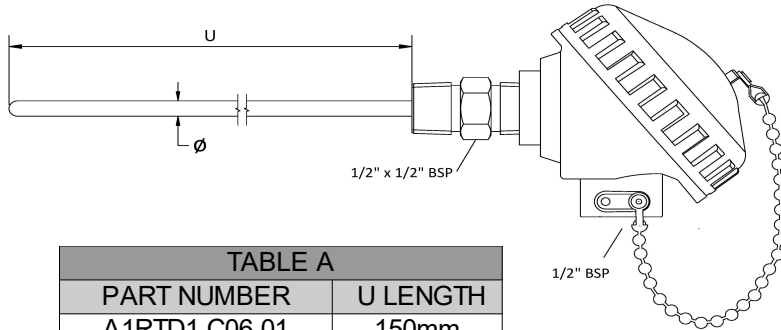
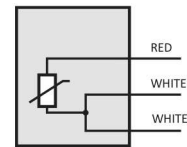
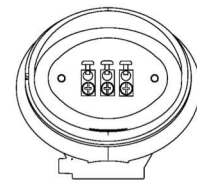


TABLE A	
PART NUMBER	U LENGTH
A1RTD1-C06-01	150mm
A1RTD1-C12-01	300mm
A1RTD1-C18-01	450mm

### Wiring Information



- Ignore polarity marks on terminal base
- Recommended screw terminal tightening torque 3-4 lb-in

#### A1RTD1-CXX -02

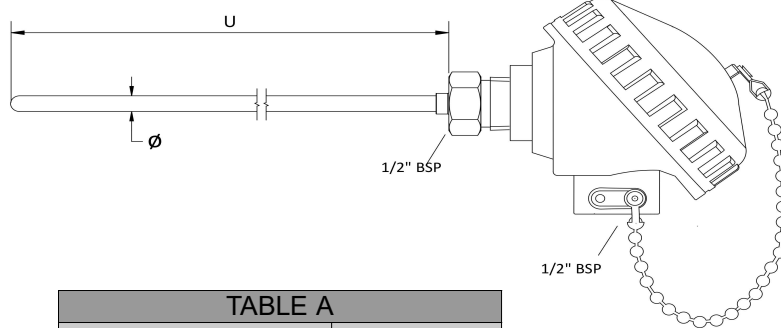


TABLE A	
PART NUMBER	U LENGTH
A1RTD1-C06-02	150mm
A1RTD1-C12-02	300mm
A1RTD1-C18-02	450mm