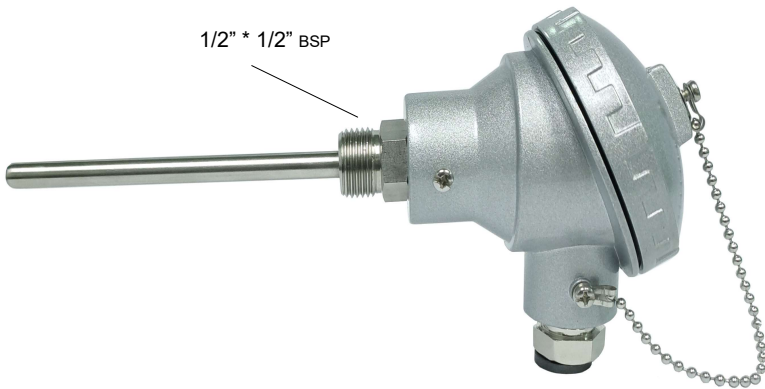


# RTD Spring-Loaded Probes with Connection Head

A1RTD1-CXX- 03

1/2" \* 1/2" BSP



## Overview

- All temperature sensors are custom made standard item
  - Probe
    - Spring loaded for positive tip contact in thermowells
    - 100 ohm platinum RTD 3-wire element
    - Class A accuracy
    - Ø6.35mm diameter, 316 SS sheath to protect against harsh environments
    - RTD element encased in Magnesium Oxide (MgO) powder insulation provides excellent vibration dampening and heat transfer
    - 150mm , 300mm or 450mm probe length
  - Connection Head
    - Cast aluminum IP67 screw cover head with gasket
    - One turn cover removal & installation eliminates cross threading and saves time
    - 1/2" BSP conduit opening with internal stop to prevent overtightening and installation damage
    - Gripping ribs on cover edge
    - with cover chain
  - Wiring
    - Ceramic terminal block
    - Brass terminals with screws eliminate the need to wrap connections around screws
  - Others
    - Required others type of RTD sensor ,specification & temperature range can be custom made upon request.

## RTD Spring-Loaded Probes with Connections Head

Part Number	RTD Type	Probe Diameter ( O.D)	Probe Length	Temperature Sensing Range	Mounting
A1RTD1-C04-03	PT-100 3 wire	6.35mm	100mm	-200 to 300°C	Integral 1/2" x 1/2" BSP 304 SS
A1RTD1-C06-03			150mm		
A1RTD1-C12-03			300mm		

## Technical Specifications

<b>Sensing Element</b>	Single 100 ohm (PT 100) , 3 wire
<b>Initial Accuracy</b>	Class A +/- [0.15 + 0.002  t  ] ° C
<b>Probe</b>	Ø6.35mm ,316 stainless steel sheath,single RTD is embedded in MgO powder
<b>Connection Head</b>	Die-cast aluminum,screw cover with chain,IP 67, 1/2"BS P conduit opening
<b>Wiring</b>	Connection head: Ceramic terminal base with brass terminal and screw

## RTD Spring-Loaded Probes with Connection Head

### Dimension

**A1RTD1-CXX -03**

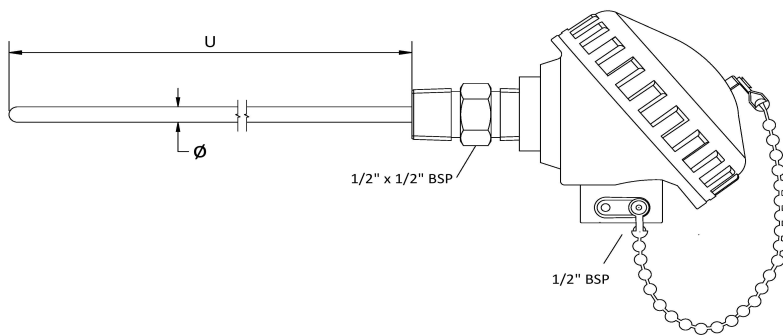
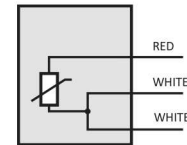
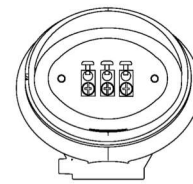


TABLE A	
PART NUMBER	U LENGTH
A1RTD1-C04-03	100mm
A1RTD1-C06-03	150mm
A1RTD1-C12-03	300mm

### Wiring Information



- Ignore polarity marks on terminal base
- Recommended screw terminal tightening torque 3-4 lb-in