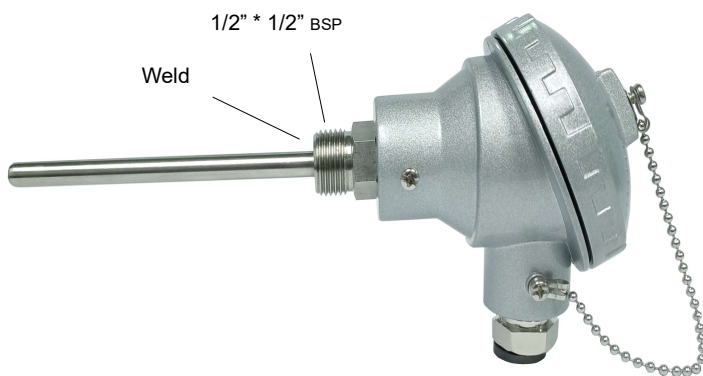


Thermocouple Spring-Loaded Probes with Connection Head

A1MJ & K-CXX- 03



Overview

- All temperature sensors are custom made standard item.
- Probe
 - Spring-loaded for positive tip contact in thermowells
 - Type J or K thermocouple elements to meet many temperature sensing application
 - Ø6.35mm diameter, 316 SS sheath to protect against harsh environments.
 - Magnesium Oxide (MgO) insulation provides vibration dampening and protection against thermal shock
 - 100mm, 150mm or 300mm probe length
- Connection Head
 - Cast aluminum IP67 screw cover head with captive gasket
 - One turn cover removal & installation eliminates cross threading and saves time
 - 1/2" BSP conduit opening with internal stop to prevent overtightening and installation damage
 - Gripping ribs on cover edge
 - With cover chain
- Wiring
 - Ceramic terminal block
 - Brass terminals with screws eliminate the need to wrap connections around screws
- Others
 - Required others type of thermocouple ,specification & temperature range can be custom made upon request.

Thermocouple Spring-Loaded Probes with Connection Head -Type J & K

Part No	Type	Probe Diameter	Probe Length	Temperature Range	Mounting
		Ø(mm)	(mm)	°C	
A1MJ-C04-03	J	6.35mm	100	0 to 250	Integral 1/2" BSP X 1/2" BSP HEX Nipple 304SS
A1MJ-C06-03	J	6.35mm	150	0 to 250	
A1MJ-C12-03	J	6.35mm	300	0 to 250	
A1MK-C04-03	K	6.35mm	100	0 to 400	
A1MK-C06-03	K	6.35mm	150	0 to 400	
A1MK-C12-03	K	6.35mm	300	0 to 400	

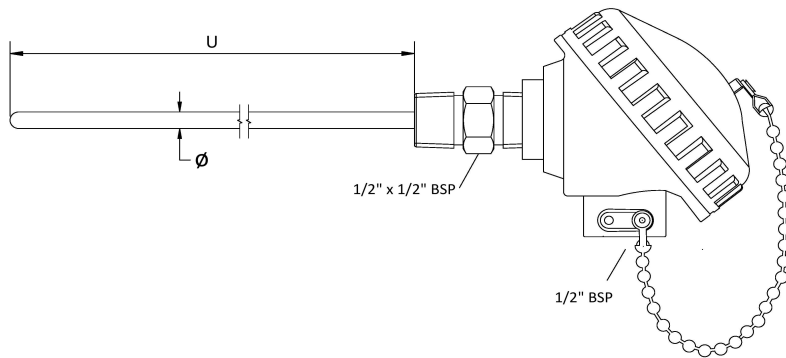
Technical Specifications

Junction Type	Grounded
Probe	Ø6.35mm ,316 s/steel sheath, single thermocouple element is embedded in MgO powder.
Connection Head	Die-cast aluminium ,screw cover with chain, compressed gasket, IP67, 1/2" BSP conduit opening
Wiring	Connection head : Ceramic terminal base with brass terminals and screw

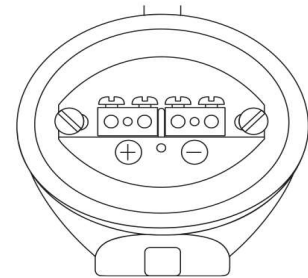
Thermocouple Spring-Loaded Probes with Connection Head

Dimension

A1MJ & K-CXX- 03



Wiring Information



Type J: (+) white (-) red
Type K: (+) yellow (-) red

- Must use thermocouple extension lead wire, see end of this section
- Observe polarity when making connections
- Do not use standard wire nuts
- Recommended screw terminal tightening torque 3-4 lb-in

TABLE A	
PART NUMBER	U LENGTH
A1MJ-C04-03	100mm
A1MJ-C06-03	150mm
A1MJ-C12-03	300mm
A1MK-C04-03	100mm
A1MK-C06-03	150mm
A1MK-C12-03	300mm

