

Hot wire thermal flow switch

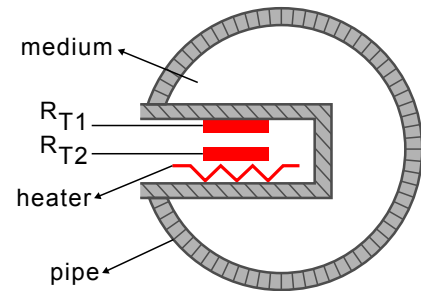


Strong, wide measurement range, flexible for water, oil and gas measurement

FTC04

| Feature |

- Wide measuring range
- Measuring many kinds of medium : water, oil, gas
- Setting point or measuring range programmable
- PNP/NPN/Relay output selectable
- Compact design



| Introduction |

Based on thermodynamic principle, **FTC04** features 2 temperature sensors inside the probe: one for medium temperature, the other one is heated a few degrees up compared to the medium into which it projects. When the medium flows, the heat generated in the sensor is conducted away by the medium. The difference between these two sensors can be measured to get flow rate. All-metal housing, Suitable for a variety of pipe diameters.



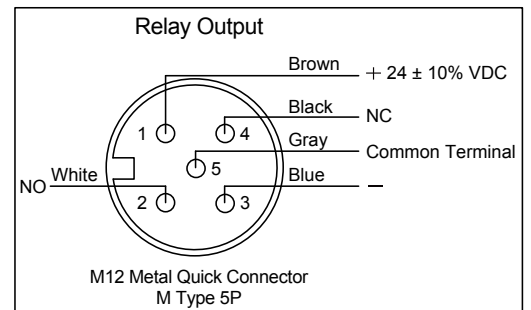
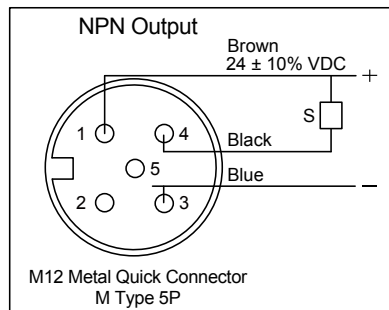
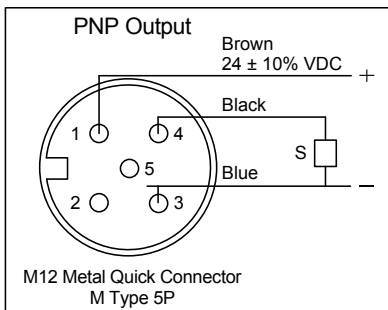
“ Application :
 Hydraulic / Lubrication system
 Pump protection / Cooling system /
 Venting systems / Water treatment /
 Leak monitoring ”

Hot wire thermal flow switch

| Specification |

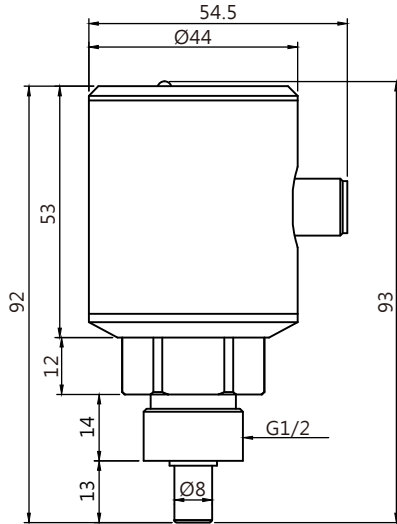
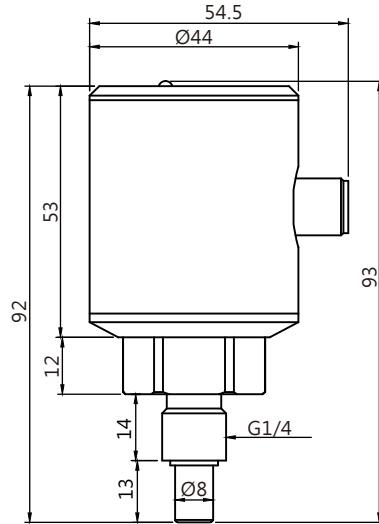
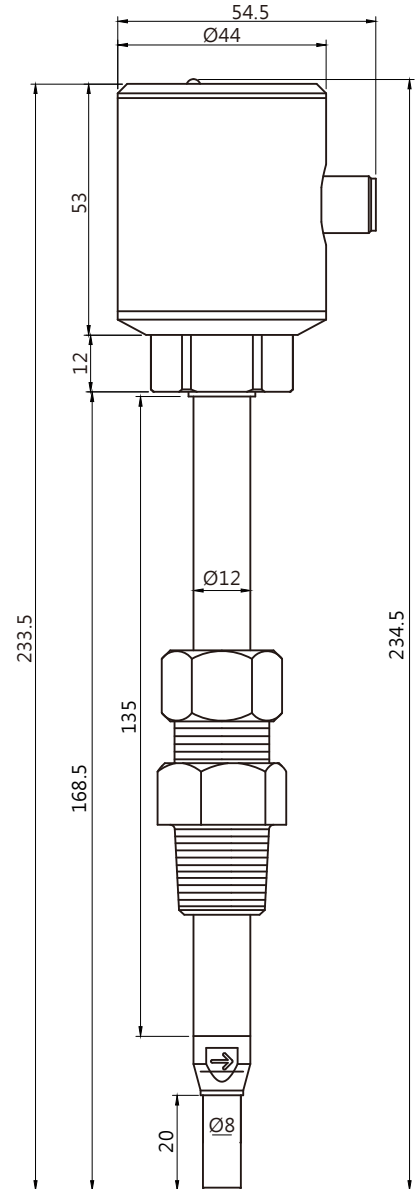
Item		Function & Parameter
Input	Type	Resistance Temperature Detector (RTD)
	Range	Water : 1 ... 200 cm/s Oil : 3 ... 300 cm/s Gas Flow : 20 ... 2000 cm/s
	Signal connection	Bridge circuit
Output	Signal	PNP, NPN, Relay
	Signal connection	M12 metal connector
	Warm-up time	< 8 secs.
	Response time	About 2 secs.
	Load resistance	Type NPN, PNP : 500mA when powered by 24 VDC Relay type : 60W
Environmental	Medium	Water, oil and gas which is compatible with stainless steel
	Operating Temp. & humidity	- 20 °C ... 85 °C
	Storage Temp.	- 40 °C ... 85 °C
Electrical	Power supply	24 ± 10 % VDC
	Current consumption	< 60 mA
	Electrical connection	M12 Metal quick connector
Installation	Mounting bush	G1/2 、 G1/4 & Ø12 Probe
Protection	Protection rating	IP67
	Electrical protection	<ul style="list-style-type: none"> ▪ Polarity protection ▪ Over-voltage ▪ Short-circuit
Material	Housing	SUS304 (metal)
	Weight	Metal : 290g (Without wire)

| Connection Diagram |

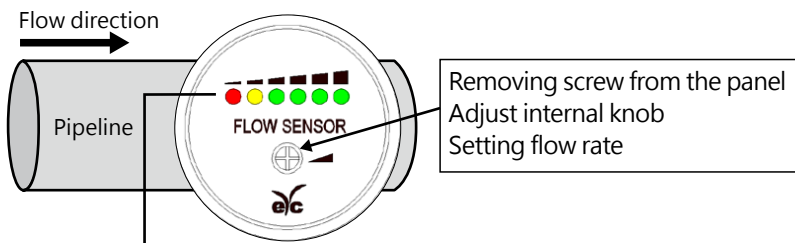


Hot wire thermal flow switch

| Dimension |

G1/2 Screw thread

G1/4 Screw thread

Ø12 Plus R1/2 Quick connector


FTC04 Description



LED Function :

Flow rate > setting point	Red light on, switch off
Flow rate = setting point	Yellow light on, switch on
Flow rate < setting point	More green light means flow rate over then setting point more

| Ordering Guide |

FTC04	-	Output	-	Power Supply	-	Installation	-	Option
		N		1		1		N
		N NPN P PNP R Relay		1 24±10% VDC		1 G1/2 Screw thread 2 G1/4 Screw thread 3 Ø12 Plus R1/2 Quick connector		N None W Customization