



L051

# Submersible Pressure Transmitter



## Feature

- Housing SS316 outer, diameter 27Ø.
- Compact and rugged design and easy to install.
- With reasonable price, high accuracy and good stability in a long-run.
- Cable material: PVC or PTFE.

## Application

- This submersible pressure transmitter is easy to apply in open container and rivers.
- Plunge the transmitter into the bottom of rivers and you can get level signal of lower limit and upper limit
- For applications in :  
Drinking water equipment / Pit sinking / Waste water plant / Big container and barrel / Flow current ( rivers and lakes )

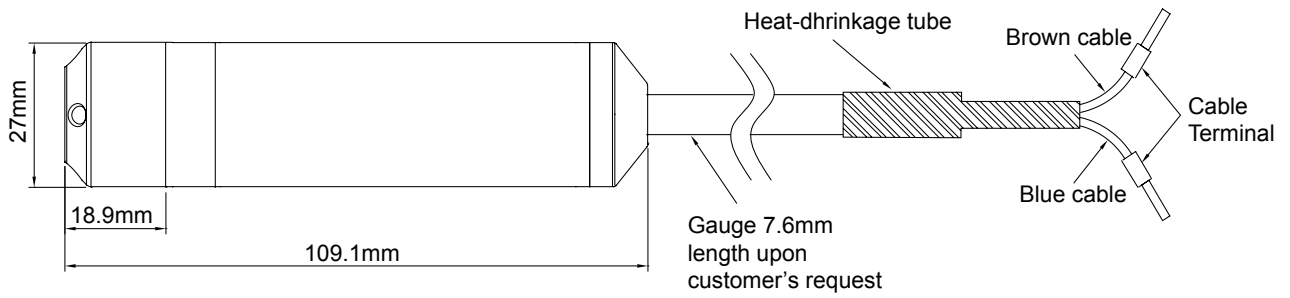
## Specification

Input															
Sensor type	Piezoresistive diaphragm														
Input type	Level														
Measuring range	0 ... 10 bar														
Cable overload range	<table border="1"> <thead> <tr> <th>Pressure range</th> <th>0.5</th> <th>1</th> <th>2</th> <th>5</th> <th>10</th> <th>20</th> </tr> </thead> <tbody> <tr> <td>Overload range</td> <td>2.5</td> <td>3</td> <td>4</td> <td>7</td> <td>15</td> <td>30</td> </tr> </tbody> </table>	Pressure range	0.5	1	2	5	10	20	Overload range	2.5	3	4	7	15	30
Pressure range	0.5	1	2	5	10	20									
Overload range	2.5	3	4	7	15	30									
Output															
Output	4 ... 20 mA														
Signal connection	2-wire														
Load resistance	[Ohm] ≤ (working voltage-10V) / 0.02A-0.15Ω x cable length(M)														
Output calibration	± 10 % of zero-point and full-scale ( ZERO & SPAN ) adjustment span														
Response time ( 10 ... 90 % )	≤5 ms														
Accuracy															
Accuracy	± 0.5 % of F.S.														
Environment															
Media measured	Liquid														
Working temperature	0 ... + 50 °C														
Working humidity	0 ... 100 %RH														
Storage temperature	-25 ... + 60 °C														
Measuring range tolerance	±0.2% fs /10K														
Electrical															
Power supply	10 ... 30 VDC														
Current consumption	≤ 21 mA														
Overvoltage protection	< 33 VDC														
Electric connection	Specific cable														
Installation															
Installation	SSSubmersible														
Protection															
Protection rating	IP 68														
Electric protection	■Polarity protection ■Short-circuit														
Certification															
Certification	CE														
Material															
Housing	SUS 316														
Wetted part	SUS 316														
Cable	PVC / PTFE														
Weight ( w / o cable )	L051: 350g														

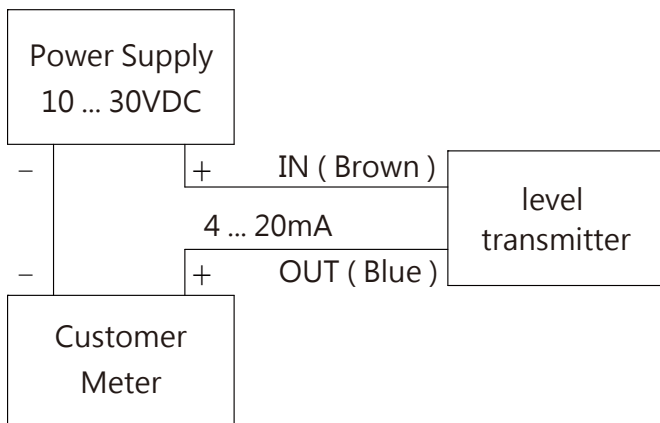
## Ordering Guide

type	L05	1	-	06	1	0	-	08	-	1
Appearance	27 Ø	1								
Pressure range	0.25 bar		-	03						
	0.4 bar		-	04						
	0.6 bar		-	06						
	1.0 bar		-	11						
	1.6 bar		-	12						
	2.5 bar		-	13						
	4.0 bar		-	14						
	6.0 bar		-	16						
10 bar		-	21							
Output	4 ... 20 mA				1					
Power supply	10 ... 30 VDC					0				
Cable length	5 m						-	05		
	6 m						-	06		
	8 m						-	08		
	12 m						-	12		
	18 m						-	18		
	27 m						-	27		
	42 m						-	42		
	62 m						-	62		
102 m						-	A2			
Option						-	00			
Cable material	PVC								-	1
	PTFE								-	2

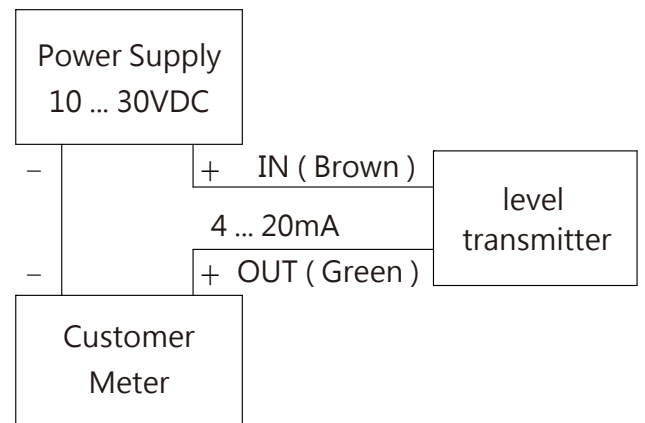
Dimension



Diagram



PVC Cable



PTFE Cable