



P041 Pressure Transmitter



Features

- Housing SUS304 outer
- Compact and rugged design and easy to install
- With reasonable price, high accuracy and stability in a long-run

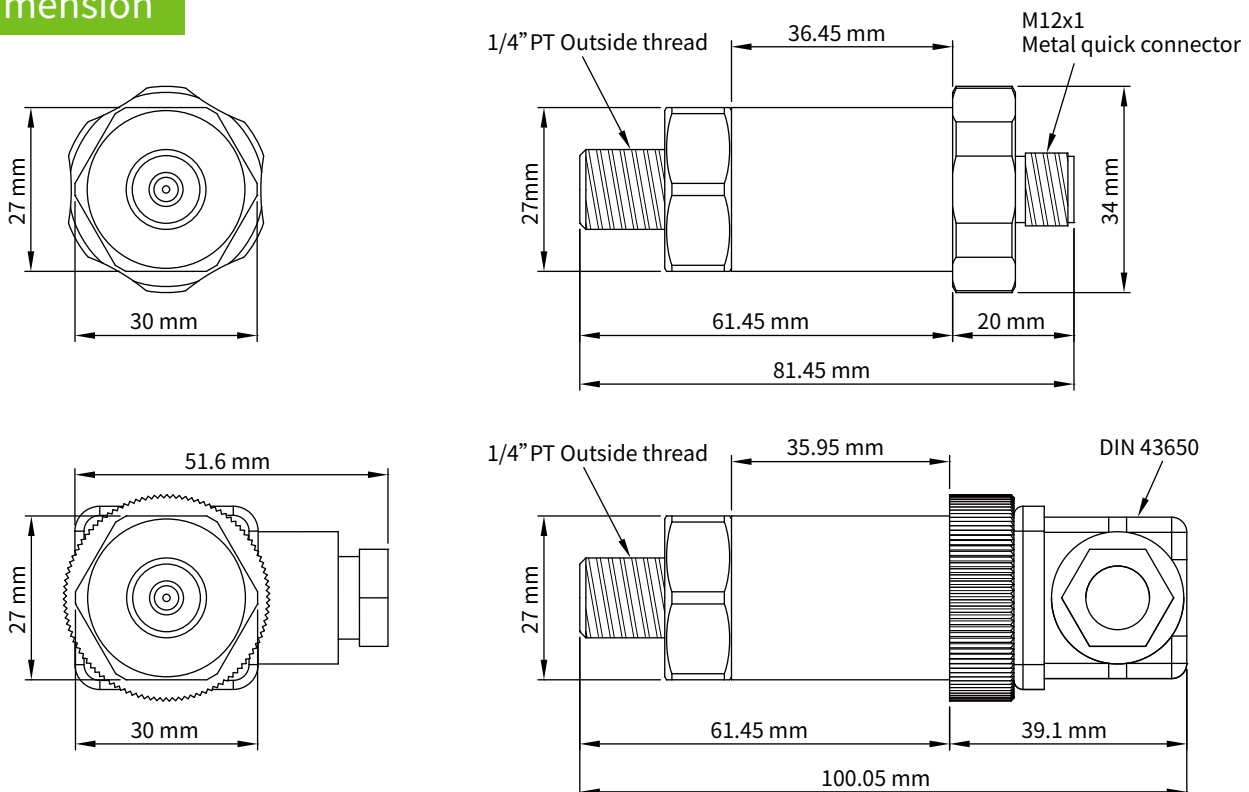
Applications

- Measuring pressure for liquid and air
- Research and Development / Laboratory / Processing engineering
- Building / Liquid / Air pressure measurement
- Machine devices / Water plant / Air devices

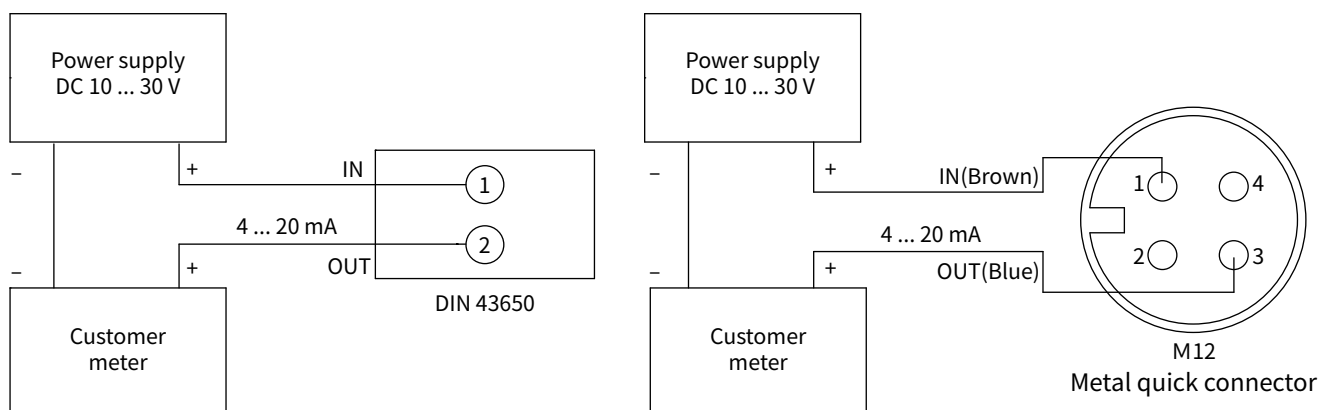
Specification

Input													
Sensor type	Piezoresistive diaphragm												
Measuring range	Relative pressure: 10 bar												
Pressure overload range	<table border="1"> <tr> <td>Pressure range</td> <td>0.25 ... 0.4</td> <td>0.6 ... 1</td> <td>2</td> <td>2.5 ... 4</td> <td>6 ... 10</td> </tr> <tr> <td>Overload range</td> <td>2.5</td> <td>3</td> <td>4</td> <td>7</td> <td>15</td> </tr> </table>	Pressure range	0.25 ... 0.4	0.6 ... 1	2	2.5 ... 4	6 ... 10	Overload range	2.5	3	4	7	15
Pressure range	0.25 ... 0.4	0.6 ... 1	2	2.5 ... 4	6 ... 10								
Overload range	2.5	3	4	7	15								
Output													
Output	4 ... 20 mA												
Signal connection	2-wire												
Linear accuracy	±0.3% of F.S.												
Load resistance	≤ (Working voltage - 10 V) / 0.02 A Ω												
Output calibration (ZERO & SPAN) adjustment range	±10% of Zero-point and full-scale												
Response time	≤ 5 ms												
Environment													
Measuring medium	Air / Liquid												
Medium Temp.	85°C; Option: Cooling connector ≤ 100°C												
Operating Temp.	85°C												
Operating humidity	100%RH												
Storage temperature	-40 ... +100°C												
Zero-point error	±0.2% F.S. / 10 K												
Measuring range tolerance	±0.2% F.S. / 10 K												
Electric													
Power supply	DC 10 ... 30 V												
Current consumption	< 20 mA												
Overvoltage protection	≤ DC 33 V												
Electrical connection	DIN 43650; M12 Metal quick connector												
Installation													
Installation	Duct												
Connect thread	Outside thread: 1/4" PT; 1/2" PT												
Protection													
IP rating	DIN 43650: IP65 M12 Metal quick connector: IP67												
Electrical protection	■ Over-voltage ■ Polarity ■ Short-circuit												
Flutter test	20 g (20 ... 5000 HZ)												
Material													
Housing	SUS304												
Wetted part	SUS304												
Sensor	SUS316L												
Oil seal	Viton												
Weight	150 g												

Dimension



Diagram



Ordering Guide

Item	P04	1	—	0	—	03	1	4	0	2
Appearance	Ø27	1								
Pressure type	Relative pressure		—	1						
Pressure range	0.25 bar				—	03				
	0.4 bar				—	04				
	0.6 bar				—	06				
	1.0 bar				—	11				
	2.0 bar				—	12				
	2.5 bar				—	13				
	4.0 bar				—	14				
	6.0 bar				—	16				
	10.0 bar				—	21				
Output	4 ... 20 mA(2-wire)						1			
Connect thread	1/4" PT Outside thread							2		
	1/2" PT Outside thread							4		
Power supply	DC 10 ... 30 V							0		
Connector	DIN 43650									1
	M12 x 1 Metal quick connector									2

| Additional Option (ILAC / TAF) Test Report |

Additional option: (ILAC / TAF) Test report - Standard calibration laboratory (TAF accreditation: 3032, complying with ISO / IEC 17025)
TAF has mutual recognition arrangement with ILAC MRA

Project	Measurand level or range
Pressure gauge	Gauge pressure: 10 ... 7000 kPa (5 basic points or 3 basic points)
	Absolute pressure: 20 ... 170 kPa (5 basic points or 3 basic points)