



THS13/14

Temperature & Humidity Transmitter (Indoor / Duct type)

Temperature & Humidity

www.eyc-tech.com



Features

- Compact design, good look and easy to install
- An economical choice, high C/P ratio
- High-Tech sensor component with high accuracy and long-term stability

Applications

- Monitoring for HVAC process / Air conditioning / Environmental ventilation control / Environmental monitoring for building / Factory / Clean room / Lab. / Monitoring for storeroom / Crisper / Agriculture / Food industry

Specification

Input	
Input type	Capacitive humidity sensor & Pt1000 Ω
Measuring Range	
Temperature	0 ... 50°C
Humidity	0 ... 100%RH
Output	
Output	4 ... 20 mA
Signal connection	2-wire
Warm-up time	<2 min. ▸ stable time 20 mins.
Response time	t63(15 ... 45°C / 33 ... 75% RH) ≤ 10 sec.
Sampling time	about 3 secs.
Temperature influence	0.2%RH / °C
Load resistance	2-wire current : $<(V-10) / 0.02 < 500 \Omega$
Output calibration (ZERO & SPAN) adjustment range	10% of zero-point and full-range
Response time	t90(at 25°C) < 20S
Accuracy (at 25 °C)	
Temperature	$\pm 0.3^{\circ}\text{C} + 0.002^{\circ}\text{C} \times t_{\text{actual}}$
Humidity	$\pm 3\% \text{RH} (20 \dots 80\% \text{RH})$

Environment

Medium	Air
Operating Temp.	0 ... +50°C
Storage Temp.	-25 ... +60°C
Restrictions	Non-condensing must be less than 95%

Electrical

Power supply	2-wire : DC 11 ... 35 V
Current consumption	2-wire DC : 41 mA
Electrical connection	2-wire : 3P connection

Installation

Installation	Indoor for wall type / Duct-mounting
--------------	--------------------------------------

Protection

IP Rating	IP54(Sensor : IP20)
Electric protection	<input checked="" type="checkbox"/> Polarity protection <input checked="" type="checkbox"/> Over-voltage <input checked="" type="checkbox"/> Short circuit

Certification

CE Certification	EN 61326-1 : 2006 、 EN 61326-2-2 : 2006
Emissions	EN55011 : 2009 / A1 : 2010
Immunity	IEC 61000-4-2 : 2008 IEC61000-4-3 : 2006/A1 : 2007/A2 : 2010 IEC 61000-4-8 : 2009

Material

Housing	PC fire-proof class(PC-110)(UL94V-2)
Weight	THS13 : 132 g / THS14 : 157 g

Dimension

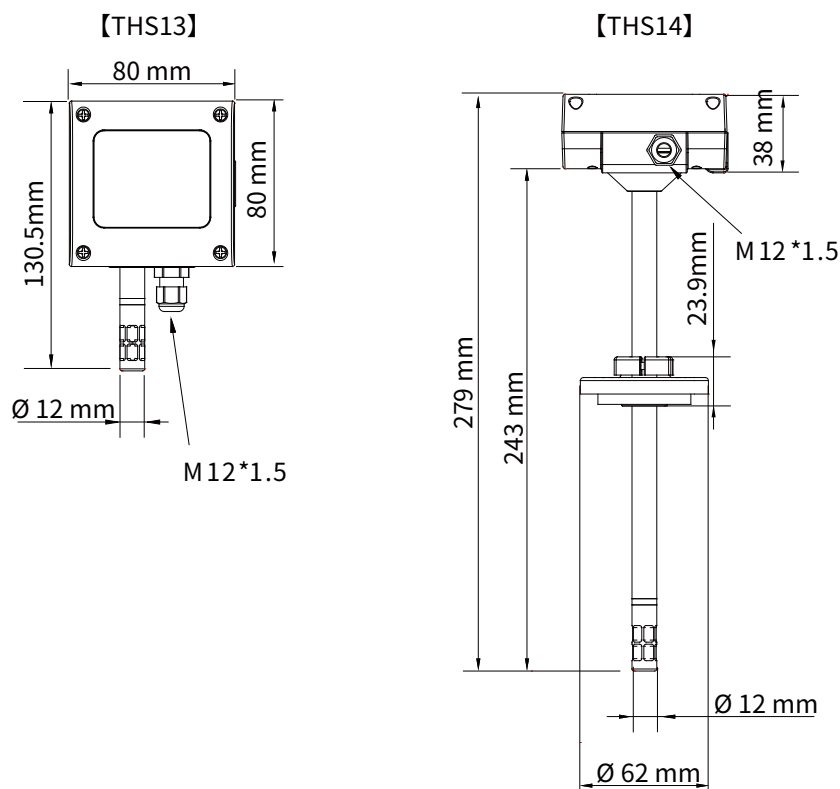
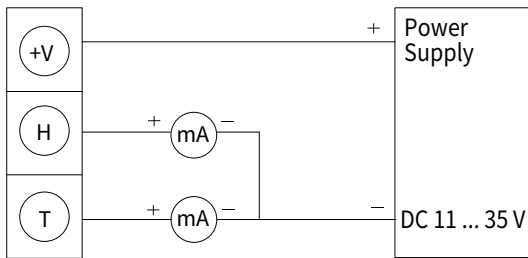


Diagram Unit : mm



3P Connection

2-wire
4-20mA

Ordering Guide

Type	THS	14	—	A	1	1	—	30	—	N
Installation	Indoor Duct	13 14								
Function	Temperature & humidity output		—	A						
Output	4 ... 20 mA(2-wire)				1					
Power supply	DC 11 ... 35 V(2-wire)					1				
Measuring range	0 ... 50°C 0 ... 100%RH(Humidity output)						— —	30 00		
Option	None								—	N

| Additional Option (ILAC / TAF) Test Report |



Additional option : (ILAC / TAF) Test report - Standard calibration laboratory (TAF accreditation : 3032, complying with ISO / IEC 17025)
TAF has mutual recognition arrangement with ILAC MRA

Project	Measurand level or range
Hygrometer	3 basic points (25°C / 30%, 50%, 80%)
	Temperature: 0°C ... 70°C
	Humidity: 10% ... 95%