



P045

External Flush Diaphragm Pressure Transmitter

Pressure

www.eyc-tech.com



Introduction

Hygienic pressure transmitter, designed for food and pharmaceutical industry, is suitable for CIP/SIP cleaning and sterilization. Smart compact design, the welded process diaphragm medium parts is made of high quality stainless steel 316L, roughness $\leq 0.4\mu\text{m}$, filling fluid with hygiene standard in line with FDA certification, variety of international standard process connections are available.

Feature

- SUS316 housing, SUS316L sensor material
- Compact and rugged design and easy to install
- With reasonable price, high accuracy and nicer long-term stability

Applications

- Measuring pressure for liquid
- For research and development, laboratory, and processing engineering
- Food Pharmaceuticals / Air devices / Factory construction / Machine devices / Process equipment / Water plant, etc

Specification

Main parameters

Pressure types	Relative Pressure
Measuring range	0.1 ... 400 bar
Pressure overload limit	1.5 x Measurement range

Output

Output	4 ... 20mA
Signal Connection	2-wire
Response Time (10 ... 90 %)	≤ 0.2 S
Power supply effects	Zero and span change should not be more than ± 0.005% URL / V when power supply changes in 10.5 / 16.5 ... 55 VDC
Loading effects	Zero and span change should not be more than ± 0.05% URL / kΩ

Temperature Influence

Within the range - 20 ... 80 °C total impact : ± 0.2% URL / 10k

Accuracy (at 20 °C ± 5 °C)

Accuracy	± 0.5 %
----------	---------

Environment

Measuring medium	Viscous, paste-like, adhesive, crystallising, particulatescontaining and contaminated media
Working temperature	- 40 ... + 85 °C
Storage temperature	- 40 ... + 100 °C
Media temperature	- 40 ... + 120 °C
Working humidity	0 ... 95 %RH
Protection class	IP67

Electric

Power Supply	10 ... 30 VDC
Current Consumption	≤ 20.8 mA
Load resistance(Ω)	< (U - 10) / 0.0208
Power consumption	≤ 500 mW (20.8 mA output @24 VDC)
Transmission distance	< 1000 m
Connection	DIN43650
Protection rating	IP65

Vibration effects

Vibration resistance	According to IEC60068-2-6 , 10g RMS (25-2000 HZ)
Impact resistance	According to IEC60068-2-27 , 500g / 1 ms

Installation

Installation	Duct
--------------	------

Certification

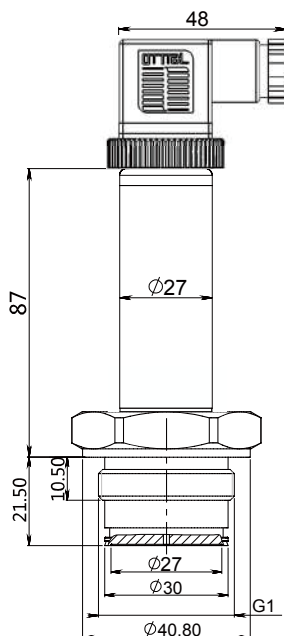
Certification	CISPR22
	IEC61000-4-2 / IEC61000-4-3
	IEC61000-4-4 / IEC61000-4-5
	IEC61000-4-6 / IEC61000-4-8

Material

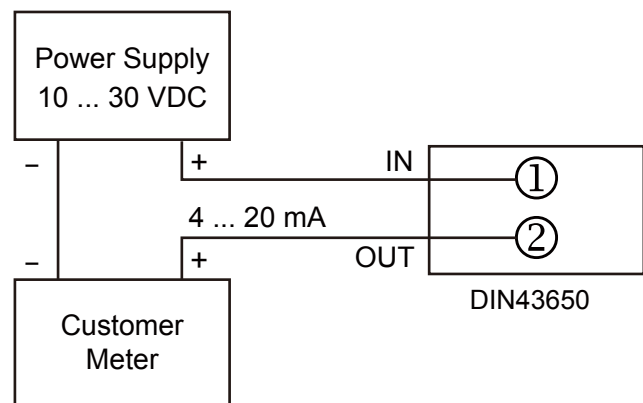
Housing	SUS 316
Isolated diaphragm	SUS 316L
Connect Thread	G1 Outside thread

Dimension

Unit:mm



Diagram



Ordering Guide

Item	P045	-	1	03	1	8	0	1
Pressure Type	Relative pressure		1					
Pressure Range	0.1 bar			01				
	0.16 bar			02				
	0.25 bar			03				
	0.4 bar			04				
	0.6 bar			06				
	1.0 bar			11				
	1.6 bar			12				
	2.5 bar			13				
	4.0 bar			14				
	6.0 bar			16				
	10 bar			21				
	16 bar			22				
	25 bar			23				
	40 bar			24				
	60 bar			25				
	100 bar			26				
	160 bar			27				
	250 bar			28				
	400 bar			29				
Output	4 ... 20 mA (2-wire)				1			
Connect Thread	G1 Outside thread					8		
Power Supply	10 ... 30 VDC						0	
Connector	DIN 43650							1

| Additional option (ILAC / TAF) Test report |



Additional option : Yuden standard calibration laboratory test report (TAF accreditation: 3032) complying with ISO /IEC 17025. TAF has mutual recognition arrangement with ILAC MRA

Project	Measurand level or range
Pressure gauge	Gauge pressure : 10 ... 7000kPa(5 basic points or 3 basic points)
	Absolute pressure : 20 ...170kPa(5 basic points or 3 basic points)