



GS23 CO₂ Transmitter(Indoor)



Features

- Optional LCD display
- Measuring carbon dioxide
- 1 analog output or Modbus RS-485
- Optional analog output + RS-485
- Quick easy installation and maintenance due to well designed
- Cost-efficient and reliable
- Data can be logged and transferred to PC via RS-485 function link free software

Application

Monitoring the air quality in indoor environments / HVAC / Air conditioning / Museums / Supermarkets /
Data centers / Warehouses

Specification

Display

Display	LCD module without backlight
Display readout	One line character
Digit	4 digits
Digit height	17.84 mm

Environment

Medium	Air
Operating Temp.	0 ... +50°C
Operating Humid.	0 ... 85%RH
Storage temperature	-20 ... +60°C

Input

CO ₂	NDIR sensor
-----------------	-------------

Electrical

Power supply	DC 12 ... 36 V & AC 24 V ±10%
Current consumption	DC : 150 mA / AC : 120 mA
Starting current	DC 24 V : 250 mA / DC 12 V : 550 mA AC 24 V : 230 mA / AC 12 V : 250 mA
Electrical connection	Analog & communication : 4P connector

Measuring range

CO ₂	0 ... 2000 PPM
-----------------	----------------

Output

Analog output	0 ... 5 V / 0 ... 10 V / 4 ... 20 mA
Modbus	RS-485
Signal connection	3-wire
Load resistance	Max. 250 Ω for 1 output Min. 10 KΩ for V output
Warm-up time	<2 min ; Stable time 20 min
Response time	t90 < 2 min
Sampling time	About 6 sec
Data logger	Via RS-485 by using eYc free software

Installation

Installation	Wall mount
--------------	------------

Protection

IP rating	IP20
Electrical protection	■ Polarity protection ■ Short-circuit

Certification

Certification	CE
---------------	----

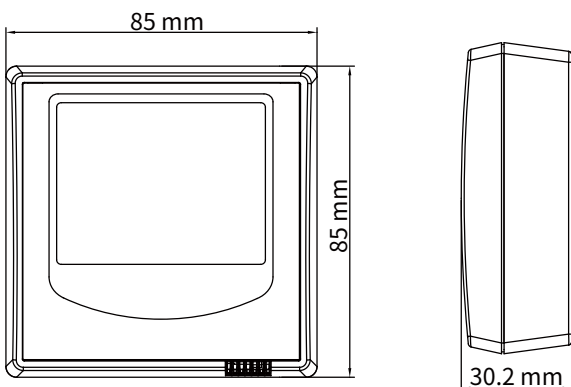
Accuracy(at+25°C ; 101.3 kPa)

CO ₂	±40 PPM ±3% of reading
-----------------	------------------------

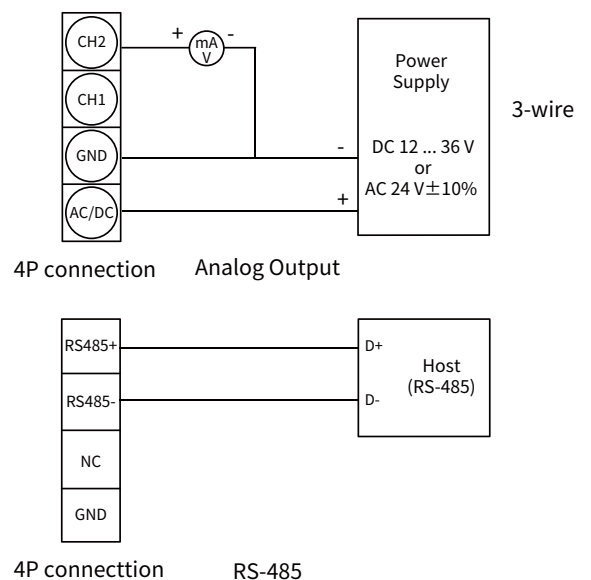
Material

Housing	PC(PC-110)(UL94V-2)
Weight	100 g

Dimension



Diagram



Ordering Guide

Type	GS23	-	1	1	1	2	-	0	D
Input	CO ₂	-	1						
Output	4 ... 20 mA			1					
	0 ... 10 V			6					
	0 ... 5 V			7					
	RS-485			N					
Power supply	DC 12 ... 36 V				1				
	DC 12 ... 36 V & AC 24 V±10%(Optional)				3				
CO ₂ range	2000 PPM					2			
	RS-485					N			
Modbus	Analog						-	0	
	RS-485						-	1	
	RS-485+analog						-	2	
Option	without display								N
	Display								D

| Additional Option (ILAC / TAF) Test Report |  

Additional option:(ILAC / TAF)Test report - Standard calibration laboratory(TAF accreditation:3032, complying with ISO / IEC 17025)
 TAF has mutual recognition arrangement with ILAC MRA

Project	Measurand level or range
Resistance thermometer	-40°C ... +300°C
Thermocouple thermometer	-20°C ... +300°C

Project	Measurand level or range
Hygrometer	3 basic points(25°C / 30%, 50%, 80%)
	Temperature:0°C ... 70°C
	Humidity:10% ... 95%