



THR03

Indoor Temperature & Humidity Transmitter



Features

- Continuously detect temperature and humidity data in indoor air quality
- Quickly real-time data monitoring and LCD display
- MEMS sensor for monitoring, long-term stability, response time quickly of measuring
- Anti-condensation and nicer long-term stability
- Compact size and elegant outlook and easy to install on the wall

Application

Hospital / Restaurant / Warehouse / Office / Parking lot / Shop / Museum / Library / Greenhouse / Data station / Ambient air circulation control / HVAC / Data monitoring room

Specification

Display

Display	LCD without backlight
Display readout	Double-row (Up : Temp. ; Down : Humidity)
Digit	3 digits and 1 decimal
Digit height	17.91 mm

Input sensor type

Temperature	MEMS
Humidity	MEMS

Measuring range

Temperature	0 ... 50°C
Humidity	0 ... 100%RH(Non-condensing)

Output

Signal output	4 ... 20 mA
Signal connection	2-wire
Warm-up time	<2 min ; Stable time 20 min
Response time	t63(15 ... 45°C / 33 ... 75%RH) ≤ 10 sec
Sampling time	About 3 sec

Accuracy(at+25°C ; DC 24 V)

Temperature	±0.5°C
Humidity	±5%RH(30 ... 80%RH)

Environment

Medium	Air
Operating environment	0 ... +50°C 0 ... 100%RH(Non-condensing)
Storage environment	-20 ... +60°C

Electrical

Power supply	DC 15 ... 35 V
Power consumption	40 mA
Instant switching current	45 mA(Max.)
Electrical connection	4P Connector

Installation

Installation	Wall mount
--------------	------------

Protection

IP rating	IP20
Electrical protection	<input checked="" type="checkbox"/> Polarity protection <input checked="" type="checkbox"/> Over-voltage <input checked="" type="checkbox"/> Short-circuit

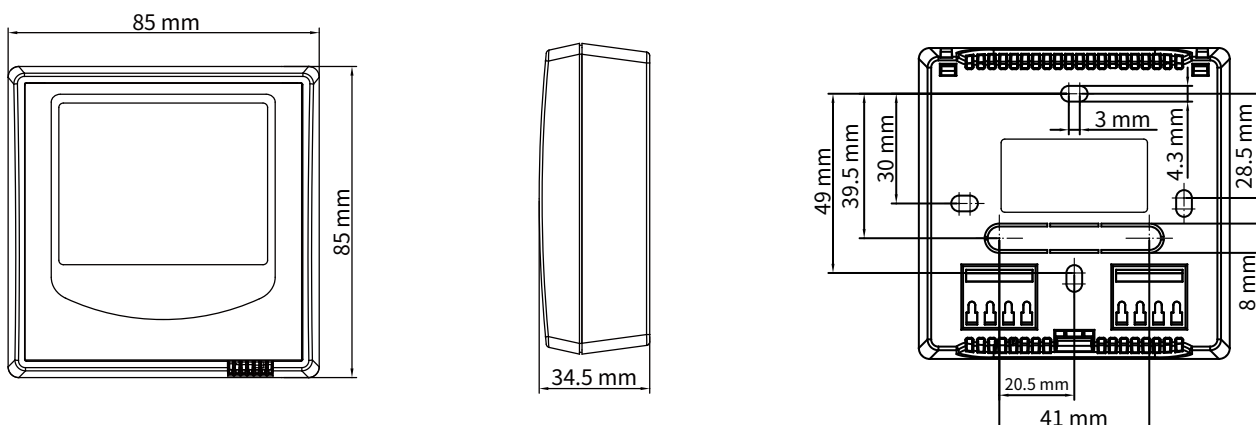
Certification

CE	Emission EN 61326-1 : 2013 EN 55011 : 2009 / A1 : 2010
	Immunity IEC 61000-4-2 : 2008 IEC 61000-4-3 : 2006+A1 : 2007+A2 : 2010 IEC 61000-4-8 : 2009

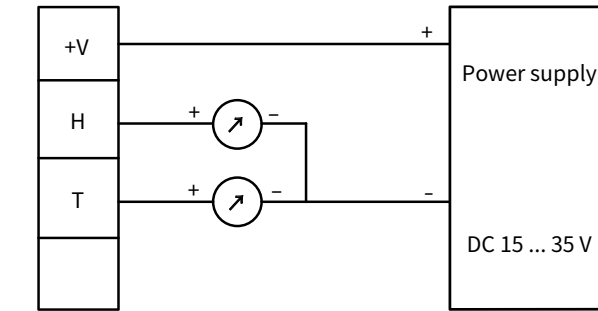
Material

Housing	PC(PC-110)(UL94V-2)
Weight	88 g(with display) ; 73 g(without display)

Dimension



Diagram



4P Terminal

2-wire / 4 ... 20 mA

Ordering Guide

Type	THR03					-	D	1	1	-	30	-	N
Function	Temperature & Humidity					-	D						
Output	4 ... 20 mA							1					
Power supply	DC 15 ... 35 V								1				
Temperature range	0 ... 50°C									-	30		
Option	without display											-	N
	Display											-	D

| Additional Option (ILAC / TAF) Test Report |



Additional option: (ILAC / TAF) Test report - Standard calibration laboratory (TAF accreditation: 3032, complying with ISO / IEC 17025)
TAF has mutual recognition arrangement with ILAC MRA

Project	Measurand level or range
Resistance thermometer	-40°C ... +300°C
Thermocouple thermometer	-20°C ... +300°C

Project	Measurand level or range
Hygrometer	3 basic points (25°C / 30%, 50%, 80%)
	Temperature: 0°C ... 70°C
	Humidity: 10% ... 95%