



DPM02

# Multifunction Signal Display Monitor

Signal / Meter

[www.eyc-tech.com](http://www.eyc-tech.com)



## Features

- Measuring input type : DC current / DC voltage
- More output type: Analog output / Relay / RS-485
- Extraction of square root (Input : voltage, current)
- Option RS-485 communication function can do 10-point linear calibration function
- Signal isolation, preventing noise, filtering function : Provide safe and stable measuring
- Power supply : AC 85 .. 253 V, 50 ... 60 Hz; Auxiliary supply output (DC 18 ... 26 V / 50 mA) : Use for 2-wire & 3-wire transmitter
- User-friendly, interactive operation interface
- Panel installation, high light red LED display panel, 14.1 mm height of character, 5 digits, -9.9.9.9 ... +9.9.9.9, 7-segment display
- Programmable, high safety & stability, fire-proof case, moisture-proof cover
- Plug-in installation design for easy maintenance

## Application

- Industry / Agriculture / Pottery & glass / Chemical Industry / Transportation / Technology / Energy / Eco-friendly / Oil & gas / Water circulation system / Marine / Factory automation / Metal & steel / Cement / Pulp & paper / Pharmaceuticals / Food & beverage

## Specification

## Display

Display readout	5 digits(-9.9.9.9 ... +9.9.9.9)
Decimal point	0 ... 4 place, button
Display	Highlight red LED(Brightness can be adjusted), digit height 14.1 mm
Accuracy	0.1%F.S.±1 digital
Sampling time	4 cycle/sec
Response time adjustment range	0.5 ... 60 sec
Parameter setting mode	Button

## Input

Input	Current:0 ... 20 mA / 4 ... 20 mA
	Voltage:0 ... 10 V / 2 ... 10 V / 0 ... 1 V / 0.2 ... 1 V / 1 ... 5 V

## Output

Analog output	Current:0 ... 20 mA / 4 ... 20 mA / 20 ... 0 mA / 20 ... 4 mA
	Voltage:0 ... 1V/0.2 ... 1V/0 ... 5V/1 ... 5V/0 ... 10V/2 ... 10V/1 ... 0V/1 ... 0.2V/5 ... 0V/5 ... 1V/10 ... 0V/10 ... 2V

## Analog

Load resistance	Current:RL < 500 Ω; Voltage ≥ 10 KΩ
Analog output resolution	12 bit
Signal error detection	Yes

## Relays

Alarm hysteresis	Display value or 0 ... 100%
ON and OFF delay	0 ... 3600 sec
Output signal error detection	Yes
Relay actuation direction	Upper limit: HI / AL; Lower limit: LO / AL
Relay capacity	Max current: 6 A
	Max voltage: AC 277 V / DC 30 V
	Max power: 1500 VA / 180 W

## Communication

Communication methods & protocol	RS-485 Modbus RTU, master or slave
RS-485 baud rate	9600、19200、38400、57600、115200 bps

## Environment

Operating environment	-10 ... +60°C; 0 ... 95%RH(Non-condensing)
Storage environment	-25 ... +60°C

## Electrical

Power supply / Voltage	AC 85 ... 253 V / 50 ... 60 Hz
Auxiliary power / Output	DC 18 ... 26 V / 50 mA
Insulation voltage endurance	2 K Vac/1 min
Parameter memory type	FLASH
Dissipated power	5 W

## Isolation

Power supply / Analog input / Analog output / RS-485	
--	--

## Protect

IP rating	IP65(Front panel)
Electric protection	■ Polarity protection ■ Over-voltage

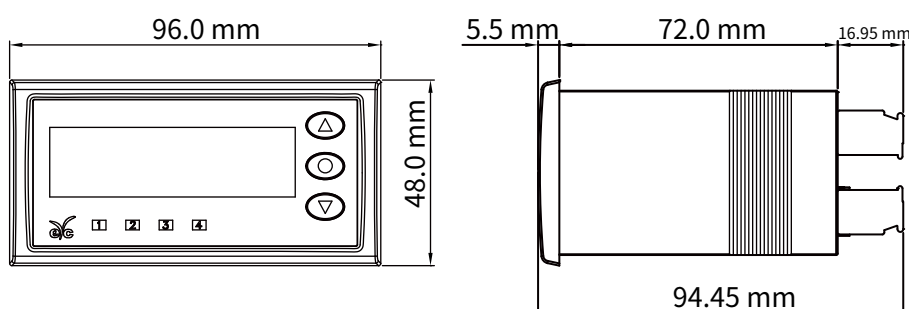
## Certification

CE Certification	
Emission	EN 61326-1:2013
	CISPR11:2009+A1:2010 Group 1 Class B
	EN 61000-3-2:2014
	EN 61000-3-3:2013
Immunity	EN 61326-1:2013 IEC 61000-4-5:2014
	IEC 61000-4-2:2008 IEC 61000-4-6:2013
	IEC 61000-4-3:2006+A1:2007+A2:2010 IEC 61000-4-8:2009
	IEC 61000-4-4:2012 IEC 61000-4-11:2004

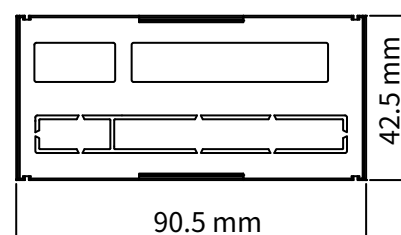
## Material

Case	ABS fire-proof class(UL94V-0)
Dimensions(HxWxD)	48x96x94.45 mm
Cut out dimensions	42.5x90.5 mm(+1 mm)
Weight	About 230 g

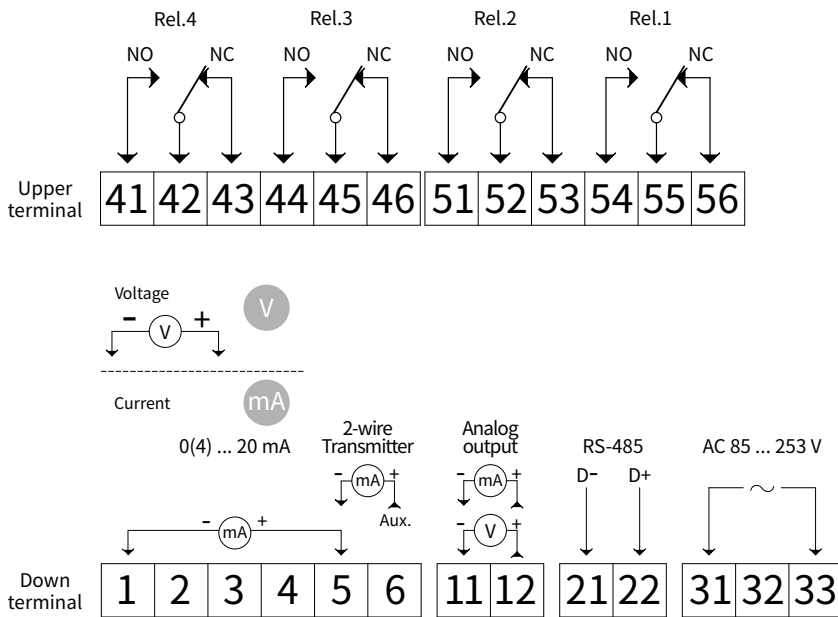
## Dimension



## Installation Dimension

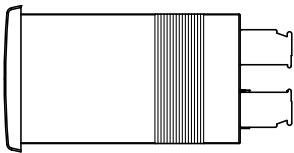


## Diagram

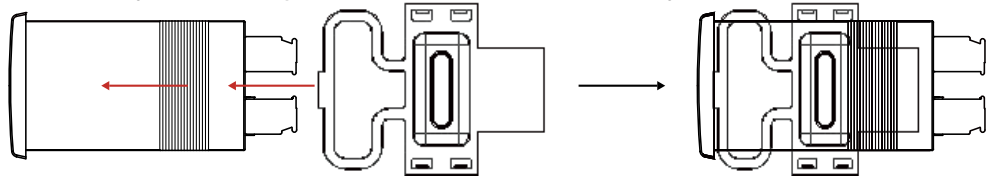


## Installation

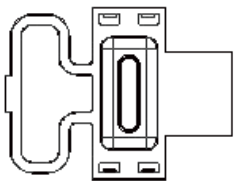
## ■ Side



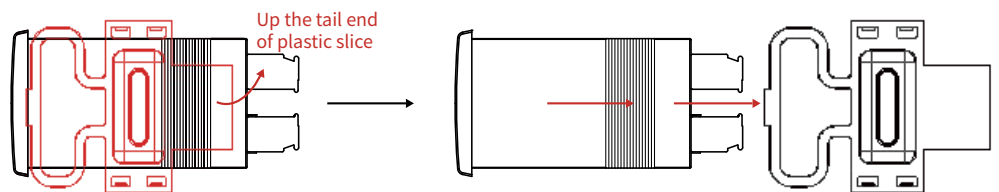
## ■ Fixed way : Push the plastic fixed slide in horizontally



## ■ Plastic fixed slice



## ■ Remove way : Up the tail end of plastic slice, then pull it out



## Programmable

- Tool: PC, USB to RS-485 converter, Power supply
- Software: DPM UI
- Calibration Function: analog output / DC voltage & DC current / Linear adjustment / Extraction of square root



PC



CR-8001  
USB to RS-485  
Converter



DPM02



DPM02



DPM02

Transmitter  
(Temp. & Humidity / Dew  
point / Air velocity / Flow /  
Gas / Pressure / Differential  
Pressure and so on)



## Ordering Guide

Type	DPM02 -	BA
Output	Display	AA
	Display+2 Relay	BA
	Display+4 Relay	CA
	Display+2 Relay+Analog output+RS-485	DA
	Display+4 Relay+Analog output+RS-485	EA