

Explosion Proof Indicator / Summing Box

EXP Indicator Series

- Explosion Proof Indicator • WATCH-DOG circuitry
- Relay Output Mode : Limit, Packer, Checker
- Improved A/D Conversion speed : Max. 200times
- Fueling stations, liquid or gaseous
- Applications : Chemical plants (Packer/Checker) Fertilizer plants
- Classification code : Ex d B T6 Degree



EXP-200N
(2 Step Control)



EXP-410N
(3 Step Control)

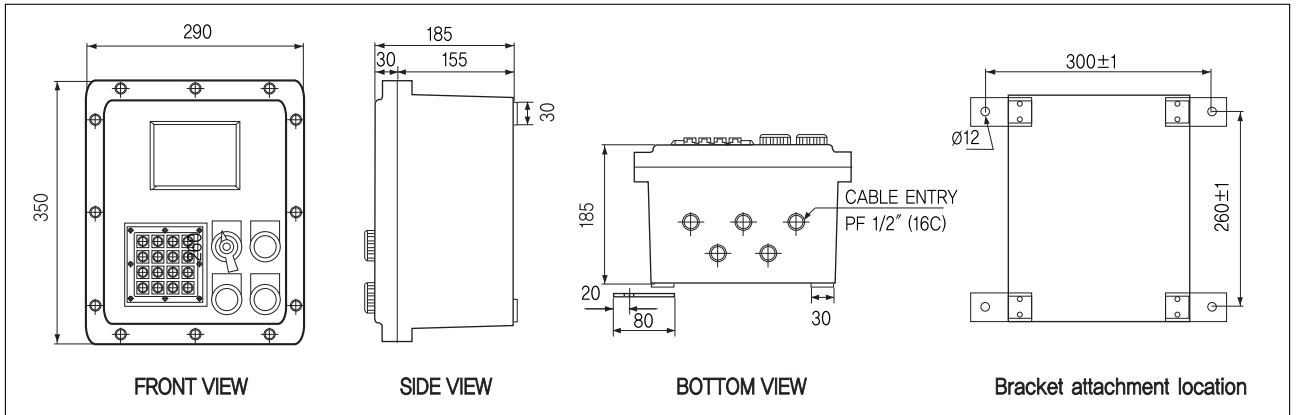


EXP-420N
Loss Weighing
(Supply 1 Step,
Discharge 2 Step)

>SPECIFICATIONS

Specifications	EXP-200N, EXP410N, EXP420N
Explosion Proof	EX IIB + H ₂ T ₆
Pressure Rating	Ex tD A ₂₁ IP65 T85°C
Format Specification	DIND-MI-EXP100
Load Cell Excitation	DC 10V (±5V)
Max. Signal Input Voltage	Max.32mV
A/D Resolution(Internal)	520,000 Count(19bit)
A/D Sampling Rate	Max. 200times / Sec
Option	OP1 : RS-422 / RS-485 OP2 : 0~10V (V-out) OP3 : 4~20ma (I-out) OP4 : BCD IN OP5 : BCD OUT
Display Unit	7 segment, 6 digit Red FND

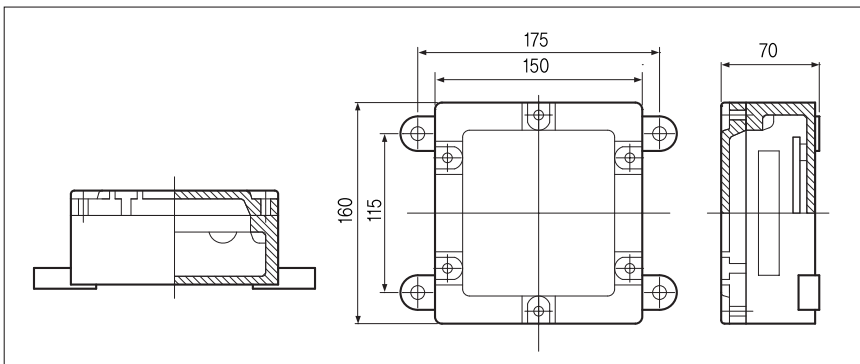
>DIMENSIONS



SUMMING BOX

Explosion Proof : EX IIB + H₂T₆

>DIMENSIONS



>Model EXP-SB4P



★Specifications are subject to change without notice.