

EXPLOSION PROOF INDICATOR / SUMMING BOX

> Model DN-EXP520

- Explosion Proof Indicator
- RELAY OUTPUT MODE: LIMIT, PACKER, CHECKER
- WATCH-DOG circuitry
- Improved A/D Conversion speed :Max. 200times
- Fueling stations, liquid or gaseous
- Applications: Chemical plants (Packer/ Checker) Fertilizer plants
- Classification code : Ex d II B T6 Degree



> SPECIFICATIONS

Specifications	Accuracy
Input Sensitivity	0.2 μ W / Digit
Load Cell Excitation	DC 10V (- 5V ~ + 5V)
Max. Signal Input Voltage	Max.32mV
Temperature Coefficient	[Zero] \pm 20PPM/ $^{\circ}$ C [Span] \pm 20PPM/ $^{\circ}$ C
Input Noise	\pm 0.6 μ W P.P
Input Impedance	Over 10M Ω
A/D Conversion Method	Sigma-Delta
A/D Resolution(Internal)	520,000 Count(19bit)
A/D Sampling Rate	Max. 200times / Sec
Non-Linearity	0.01% FS
Display Resolution(External)	1/20,000

Option

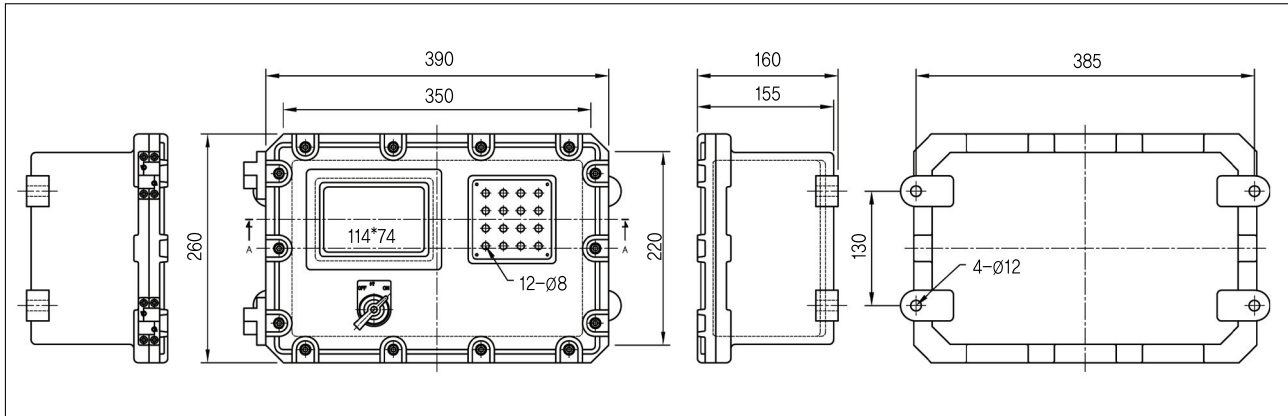
- ① Analog Out-put (V-out) : 0~10V, 0~5V
- ② Analog Out-put (I-out) : 4~20mA
- ③ Serial I / F : RS-422, RS-485
- ④ BCD In-put
- ⑤ BCD In-out
- * RS3232C and Current loop : Standard Installed

> RELAY MODE

Model	Out1	Out2	Out3	Out4	Out5	Out6
Limit ("A" Dry)	SP1	SP2	SP3	SP4	Finish	Zero
Packer ("B" Dry)	SP1	SP2	SP3	SP4	Finish	Zero
Checker 1 (Stable mode)	Low	High	OK	Low N.G	High N.G	Zero
Checker 2 (Range mode)	SP1	SP1<SP2	SP2<SP3	SP3<SP4	SP4<	Zero

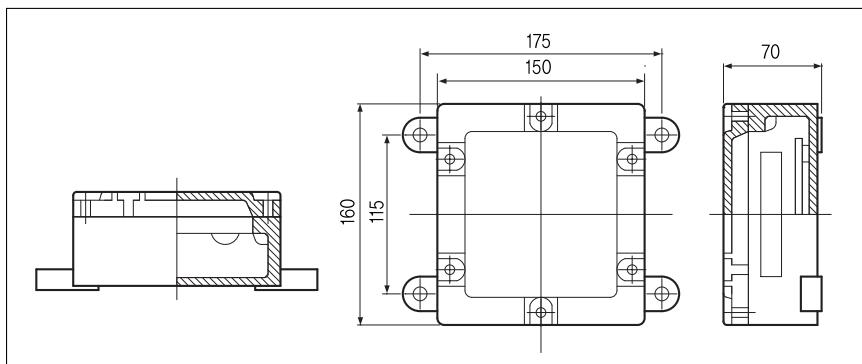
> DIMENSIONS

unit:mm



> Model EXP-SB4P

> DIMENSIONS



*Specifications are subject to change without notice.