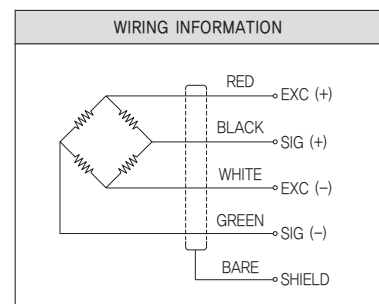
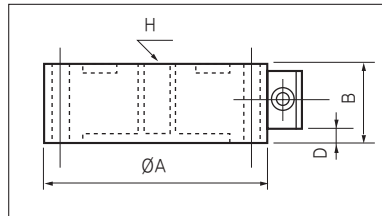
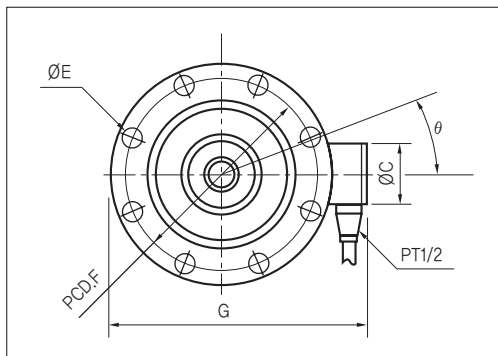
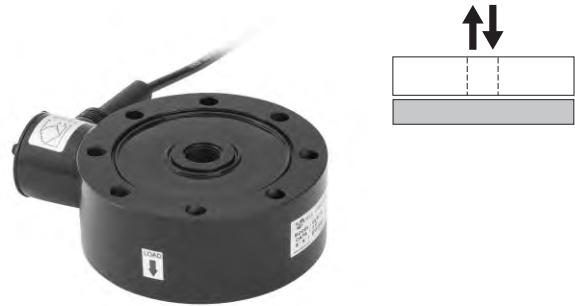


Low Profile Tension or Compression Load Cells

>Model UL, UL272

Applicable for both compression and tension methods.
 Being tough against twisting momentum, most suitable for load fatigue testing repeat test of load etc.
 UL : Painted finished steel, Protection Class IP67.
 ULH : Nikel planted steel



>SPECIFICATIONS

| Specifications | Accuracy | | |
|-------------------------------------|---|---|---|
| | UL | ULH | UL272 |
| Rated capacity(R.C.) | 500kgf, 1tf, 2tf, 5tf, 10tf, 20tf, 30tf, 50tf, 100tf, 200tf, 300tf, 500tf | 500kgf, 1tf, 2tf, 5tf, 10tf, 20tf, 50tf | 1.5tf, 2tf, 3tf, 4tf, 5tf, 7tf, 8tf, 14tf |
| Rated output(R.O.) | 2mV/V±0.1% | 2mV/V±0.1% | 2mV/V±0.1% |
| Nonlinearity | 0.05% of R.O.(300tf~500tf : 0.5%) | 0.02% of R.O. | 0.1% of R.O. |
| Hysteresis | 0.05% of R.O.(300tf~500tf : 0.5%) | 0.02% of R.O. | 0.1% of R.O. |
| Repeatability | 0.03% of R.O.(300tf~500tf : 0.05%) | 0.02% of R.O. | 0.05% of R.O. |
| Zero balance | ±2% of R.O. | ±2% of R.O. | ±2% of R.O. |
| Temperature effect, on rated output | 0.05% of LOAD/10°C | 0.03% of LOAD/10°C | 0.05% of LOAD/10°C |
| Temperature effect, on zero balance | 0.05% of R.O./10°C | 0.03% of R.O./10°C | 0.05% of R.O./10°C |
| Temperature range, compensated | -10~60°C | -10~60°C | -10~60°C |
| Temperature range, safe | -20~80°C | -20~80°C | -20~70°C |
| Terminal resistance input | 700±5Ω | 700±50Ω | 700±50Ω |
| Terminal resistance output | 700±3Ω | 700 ±3Ω | 700 ±3Ω |
| Insulation resistance bridge/case | 2000MΩ | 2000MΩ | 2000MΩ |
| Excitation recommended | 10V | 10V | 10V |
| Safe overload | 150% R.C. | 150% R.C. | 150% R.C. |
| Cable length | Ø7mm 4core, 3m | Ø7mm 4core, 3m | Ø7mm 4core, 3m |

>DIMENSIONS TABLE

unit:mm

| Capacity | ØA | B | ØC | D | E | F | G | H | |
|------------------|-----|-----|----|------|--------|-----|-----|----------|-----|
| 500kgf (4.903kN) | 88 | 25 | 22 | 1.5 | 6-Ø6.5 | 75 | 108 | M12×1.25 | 1 |
| 1tf (9.807kN) | 118 | 46 | 43 | 1.5 | 8-Ø9 | 100 | 153 | M18×1.5 | 3 |
| 2tf (19.61kN) | 118 | 46 | 43 | 1.5 | 8-Ø9 | 100 | 153 | M18×1.5 | |
| 5tf (49.03kN) | 118 | 46 | 43 | 1.5 | 8-Ø9 | 100 | 153 | M18×1.5 | |
| 10tf (98.07kN) | 178 | 65 | 43 | 11 | 8-Ø13 | 155 | 215 | M24×2 | 9 |
| 20tf (196.1kN) | 178 | 65 | 43 | 11 | 8-Ø13 | 155 | 215 | M39×2 | |
| 50tf (490.3kN) | 226 | 100 | 43 | 28.5 | 12-Ø18 | 190 | 266 | M50×2 | 23 |
| 100tf (980.7kN) | 310 | 130 | 43 | 43.5 | 16-Ø22 | 260 | 350 | M76×3 | 60 |
| 200tf (1961kN) | 380 | 170 | 43 | 63 | 16-Ø38 | 315 | 420 | M100×3 | 90 |
| 300tf (2942kN) | 450 | 200 | 50 | 75 | 16-Ø45 | 365 | 490 | M140×3 | 180 |
| 500tf (4903kN) | 496 | 300 | 70 | 115 | 16-Ø52 | 420 | 536 | M180×3 | 245 |

| Model | UL272 | | | | | | | | |
|------------------|-------|----|----|-----|------------|-----|-----|---------|--|
| Capacity | ØA | B | ØC | D | E | F | G | ØH | |
| UL272, 1.5tf~5tf | 118 | 46 | 40 | 3 | 8-Ø9 hole | 100 | 153 | M27 x 2 | |
| UL272, 7tf, 8tf | 144 | 55 | 40 | 7.5 | 8-Ø11 hole | 120 | 178 | M27 x 2 | |
| UL272, 14Tf | 157 | 64 | 40 | 12 | 8-Ø14 hole | 135 | 192 | M39 x 2 | |

★Specifications are subject to change without notice.