

Digital Tachometer

RPM Sensor Magnet Type



>Model DN30W

RPM processor/tachometer (frequency input).
The setup sequence is simple and quick using four push buttons only.

- Relay output(Hi, Low)
- 4 Relay output
- Peak & sample hold
- Analog out (DAC)
- Watch dog
- Calibration by Pulse/circle input

■Option

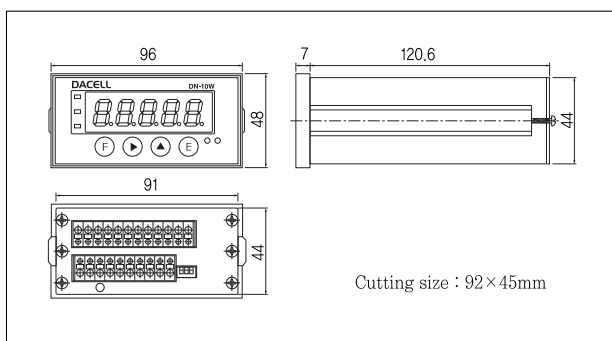
- OP-02 : RS232C serial interface
- OP-03 : RS485 Multi drop interface
- OP-06 : Power 24VDC

>SPECIFICATIONS

Specifications	Accuracy
Application sensor	Proximity sensor (MP981) , Rotary Encoder
Sensor authorized voltage	DC 12V
Measuring range	Input frequency 5kHz max, 1 ~ 350 pulse/circle
Measuring accuracy	0.05%
Display	0 ~ 99999
Character height	7 segment LED 14mm
Voltage output	DC 0 ~ 10V(4~20mA: in accordance with customer request)
Contact capacity	AC 125V 0.5A, DC 24V 1A
Relay life time	more than 5,000,000 times
Usage temperature range	-10°C ~ 60°C
Humidity	Less than 80% RH (no dew condensation)
Power source used	AC 220V 50/60Hz
Dimensions	96 × 48 × 128mm
Cutting size	91.5 × 44.5mm
Weight	About 800 g

>DIMENSIONS

unit:mm



★Specifications are subject to change without notice.



>Model RS-025

The RS-025 is a magneto-type detector using a hall element which is suitable for rpm measurement from ultra low speed to high speeds.

>SPECIFICATIONS

Specifications	Accuracy
Detection method	Hall element
Measurement range	1Hz~20kHz(using a 60P/R gear, 1~20,000r/min, with an output waveform duty cycle 50%±20%)
Detection gear	Strong magnetic materials
Gap between detector and gear	(modulus 0.5~3, tooth width 3 mm or greater)
Power supply used	DC 12V±2V(0.5Vp-p or less ripple)
Current consumption	40mA or less(12V, at 25°C)
Output waveform	Low level:±0.5V rectangular waveform(With no load)
Output impedance	Approx. 330Ω
Output type	Floating ground
Protective circuit	Power supply polarity and output short protection
Operating temperature range	-10°C~+70°C
Storage temperature range	-20°C~+80°C
Matching connector	6-pin connector(type R04-PB6F plug)
Allowable vibration (during-operation)	double-ended 1.2mm at 30Hz in X, Y and Z direction for one hour each.
Allowable shock(non-operating)	490m/s ² in X and Y direction each 3 times.
Withstand voltage	1.DC250V, 1min.(between shield and signal cable) 2.DC250V, 1min.(between shield and sensor head)
Interface indicator	DN-30W
Weight	Approx. 80g(including two mounting nuts)
Accessories	Mounting nuts(2)

>DIMENSIONS

unit:mm

