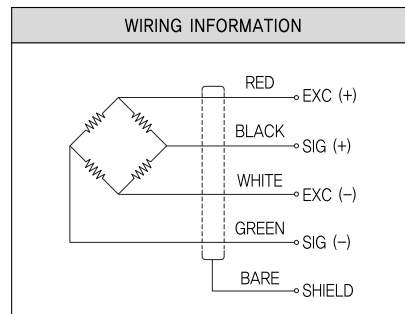
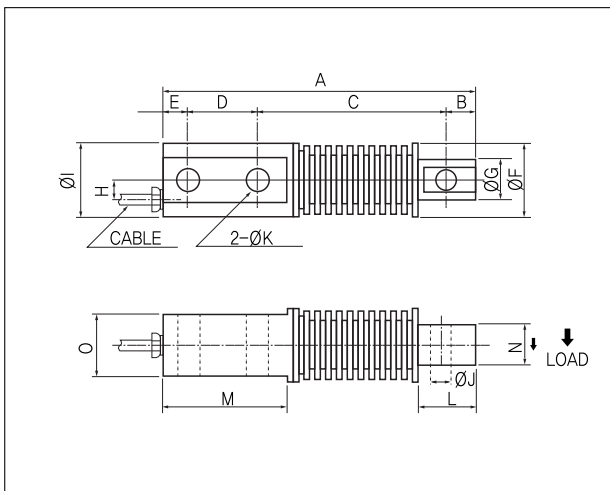
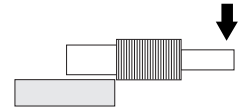


BEAM LOAD CELL

> Model CBC

Stainless steel bellows seal
 Can be used for both compression and tension measuring. Compact, lightweight and easy-to-mount
 Protection Class IP67



> SPECIFICATIONS

Specifications	Accuracy
Rated capacity(R.C)	10, 20, 50, 100, 200kgf, 500kg (98.07N, 196.1N, 490.3N, 980.7N, 4.903kN)
Rated output(R.O)	2mV/V±0.5%
Nonlinearity	0.03% of R.O.
Hysteresis	0.02% of R.O.
Repeatability	0.02% of R.O.
Zero balance	±1% of R.O.
Temperature effect, on rated output	0.02% of LOAD/10°C
Temperature effect, on zero balance	0.02% of R.O./10°C
Temperature range, compensated	-10~70°C
Temperature range, safe	-20~80°C
Terminal resistance input	350±50Ω
Terminal resistance output	350±5Ω
Insulation resistance bridge	2000MΩ
Excitation recommended	10V
Safe overload	150% R.C.
Cable length	Ø5 4core cable, 3m

> DIMENSIONS TABLE

unit:mm

Capacity	A	B	C	D	E	F	G	H	I	J	K	L	M	N	O	Weight(kg)
10~100kg (98.1N~980.7N)	130	10	72	35	13	39	20	9	42	8.5	8.5	20	58	17	35	1.0
200~500kg (1.9kN~4.90kN)	200	20	120	45	15	50	29	14	52	12	14	40	80	25	40	1.8

★Specifications are subject to change without notice.