



## Technical overview

### Pressure range

Relative 0 ... 4 – 16 bar

### Operating conditions

Medium		Liquids and not aggressive gases
Temperature	Medium	+2 ... +90 °C
	Ambient	+2 ... +85 °C
	Storage	-30 ... +85 °C
Tolerable overload	≤ 4 bar	8 bar
	> 4 bar	20 bar
Rupture pressure	≤ 4 bar	12 bar
	> 4 bar	25 bar

### Materials

Case		Plastic thermoplast
Materialien in contact with the medium	Pressure connection	Fibre reinforced plastic
	Sensor	Ceramic Al <sub>2</sub> O <sub>3</sub> (96%)
	Sealing material	EPDM (Ethylene propylene)

### Electrical overview

Output	Power supply	Load	Current consumption <sup>1)</sup>
0.5 ... 3.5 V	8.5 ... 30 VDC	> 10 kOhm / < 100 nF	< 7 mA
Ratiom. 10 ... 70%	5 VDC ±5%	> 10 kOhm / < 100 nF	< 4 mA
Ratiom. 10 ... 50%	5 VDC ±5%	> 10 kOhm / < 100 nF	< 4 mA
Polarity reversal protection	Short circuit proof and protected against polarity reversal. Each connection is protected against crossover up to max. supply voltage.		
Electromagnetic compatibility	The product is designed exclusively for installation in equipment. The customer is responsible for CE conformity.		

### Dynamic response

Response time	< 5 ms
Load cycle	< 50 Hz

### Protection standard

IP 00

### Pressure connection

Connection plug fitting	Standard	
	Form 2 without orifice	
	Form 3	
Outside thread	Form 4 without orifice	
	G ¼	
	G ⅜	
	G ½	material admission for portable water ≤ 85 °C
	G ⅝	with bedstop for plug value
	G ¾	without orifice
	G 1	with bedstop for plug value without orifice

### Electrical connection

Connector RAST 2.5

### Installation arrangement

Recommended: Electrical connection upwards

### Tests / Admissions

Shock acc. to DIN IEC 60068-2-27	40 g, 11 ms half sine wave, all directions. Free fall from 1 m on concrete.
Vibration acc. to DIN IEC 60068-2-6	5 g, 2 ... 2000 Hz

### Weight

~ 30 g

### Packaging

Bulk cargo in cardboard boxes on Euro pallet (500 pcs.)

## Accuracy

Parameter		Unit	
Tolerance zero point	max.	% fs	± 1.5
Tolerance full scale	max.	% fs	± 1.5
Resolution		% FS	0.1
Total of linearity, hysteresis and repeatability	max.	% fs	± 1.0
Long term stability acc. to DIN EN 60770		% fs	± 0.5
TC zero point <sup>3)</sup>	typ.	% fs/10K	± 0.6 <sup>4)</sup>
TC sensitivity <sup>3)</sup>	typ.	% fs/10K	± 0.15
Ratiometric error <sup>5)</sup>	typ.	% fs	± 0.5

Test conditions: 25 °C, 45% RH, power supply 24 VDC / 5 VDC  
TC z.p. / TC s. 2 ... +80 °C

<sup>1)</sup> At nominal pressure  
<sup>4)</sup> ≥10 bar = max. ±1.0% fs/10K

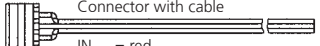
<sup>2)</sup> Ratiometric version only through the electrical connector mechanically protected.  
<sup>5)</sup> At ratiometric version only

<sup>3)</sup> TC = Temperature coefficient

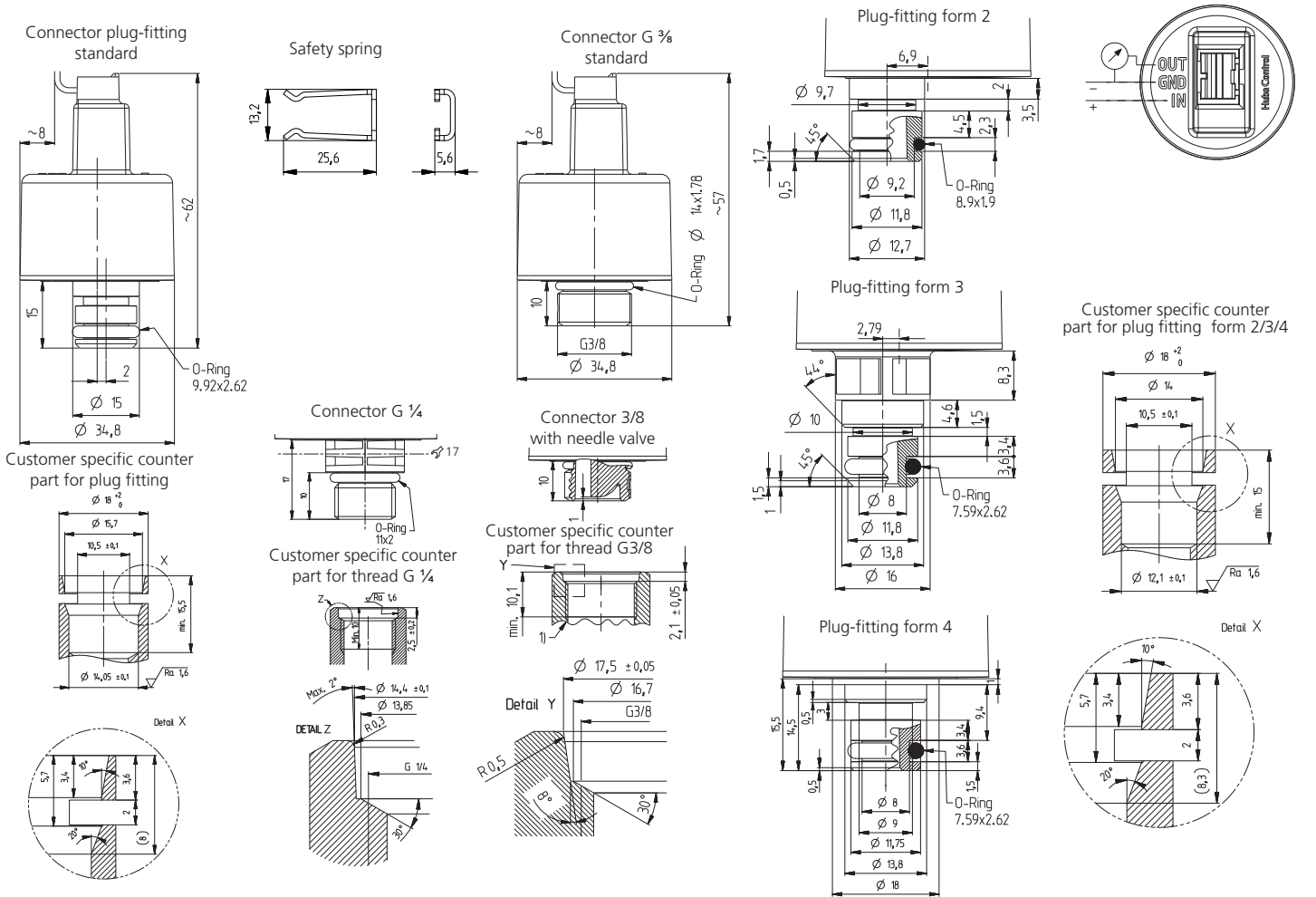
Order code selection table		1	2	3	4	5
		505. X X X X X				
Pressure range <sup>1)</sup>	0 ... 4 bar	9	1	5		
	0 ... 10 bar	9	3	0	7,B	2
	0 ... 12 bar	9	3	B	7,B	
	0 ... 16 bar	9	3	1	7,B	
▲ Full scale signal at this pressure						
Pressure connection	Connection plug fitting standard			5	3	
	Connection plug fitting standard without orifice			5	9	
	Connection plug fitting form 2 without orifice			5	C	
	Connection plug fitting form 3			5	1	
	Connection plug fitting form 4 without orifice			5	A	
	Outside thread G 3/8			5	4	
	Outside thread G 3/8 material admission for drinking water ≤ 85 °C			5	5	
	Outside thread G 3/8 with needle valve			5	6	
	Outside thread G 3/8 without orifice				7	
	Outside thread G 3/8 with with needle valve without orifice			5	8	
Outside thread G 1/4 without orifice				B		
Output / power supply	0.5 ... 3.5 V					0
	ratiom. 10 ... 70%					1
	ratiom. 10 ... 50%					2

Accessories (Accessories supplied loose)	Order number
Safety spring for all plug connector	112442
Female connector RAST 2.5 with cable 1450 mm	103167
Calibration certificate	104551

AMP Connector <sup>2)</sup>	Manufacturer's Part No.	Colour	For flexible wire
	3-829868-3	grey	7 x 0.20 mm = 0.22 mm <sup>2</sup> or 12 x 0.20 mm = 0.35 mm <sup>2</sup>
	1-966194-3	beige	7 x 0.25 mm = 0.35 mm <sup>2</sup>


 Connector with cable  
 IN = red  
 OUT = yellow  
 GND = black

### Dimensions in mm / Electrical connections



<sup>1)</sup> Other pressure ranges on request      <sup>2)</sup> To be ordered separately from original manufacturer. Further information can be found in the manufacturer specification No. 114-18049

### Huba Control AG

#### Headquarters

Industriestrasse 17  
5436 Würenlos  
Telefon +41 (0) 56 436 82 00  
Telefax +41 (0) 56 436 82 82  
info.ch@hubacontrol.com

### Huba Control AG

#### Niederlassung Deutschland

Schlattgrabenstrasse 24  
72141 Walddorfhäslach  
Telefon +49 (0) 7127 23 93 00  
Telefax +49 (0) 7127 23 93 20  
info.de@hubacontrol.com

### Huba Control SA

#### Succursale France

Rue Lavoisier  
Technopôle Forbach-Sud  
57602 Forbach Cedex  
Téléphone +33 (0) 387 847 300  
Télécopieur +33 (0) 387 847 301  
info.fr@hubacontrol.com

### Huba Control AG

#### Vestiging Nederland

Hamseweg 20A  
3828 AD Hoogland  
Telefoon +31 (0) 33 433 03 66  
Telefax +31 (0) 33 433 03 77  
info.nl@hubacontrol.com

### Huba Control AG

#### Branch Office United Kingdom

Unit 13 Berkshire House  
County Park Business Centre  
Shrivenham Road  
Swindon Wiltshire SN1 2NR  
Phone +44 (0) 1993 776667  
Fax +44 (0) 1993 776671  
info.uk@hubacontrol.com