

Connection Head and Ceramic Terminal Bases

A1KNE - 0



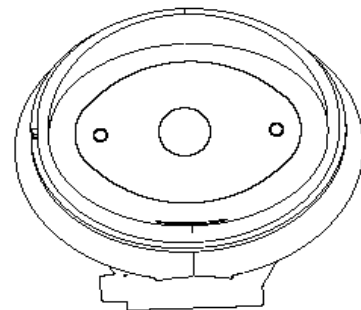
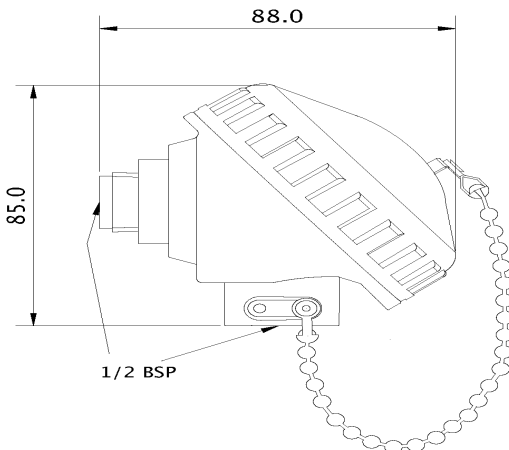
Overview

- Cast aluminium ,IP67 screw cover head with captive gasket
- One turn cover removal & installation eliminates cross threading and saves time
- 1/2”BSP conduit opening with internal stop to prevent overtightening and installation damage
- Gripping ribs on cover edge
- Cover chain
- Others
- Requires others type of connection head & terminal base can be upon request

Aluminum Connection Head	
Part Number	Description
A1KNE-0	General purpose screw cover connection head for temperature probe ,die-cast aluminum, 1/2”BSP process opening, 1/2”BSP conduit opening, IP67 rated ,gasket, maximum temperature rating (440 °c)

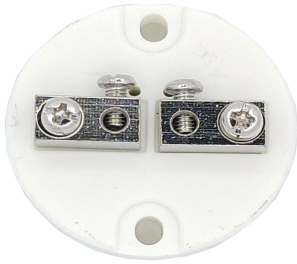
Dimension : (mm)

A1KNE - 0



Connection Head and Ceramic Terminal Bases

A1KNE - 2PC



A1KNE - 3PC



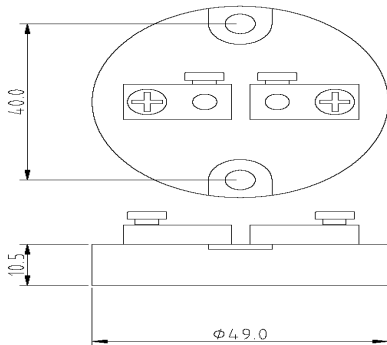
Overview

- Available with two terminals or three terminal for RTD's
- Fits A1KNE-0 connection head
- Ceramic base with terminals and screws
- Accepts to 12 AWG wire

Aluminum Connection Head	
Part Number	Description
A1KNE-2PC	Ceramic terminal base ,two terminals with screws, for use with temperature probe connection heads ,two mounting screws included.
A1KNE-3PC	Ceramic terminal base, three terminals with screws, for use with temperature probe connection heads ,two mounting screws included.

Dimension : (mm)

A1KNE - 2PC



A1KNE - 3PC

