

## Connection Head and Ceramic Terminal Bases

**A1KNE - 0**



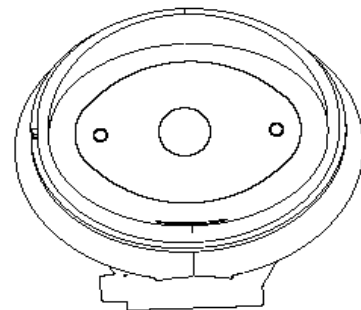
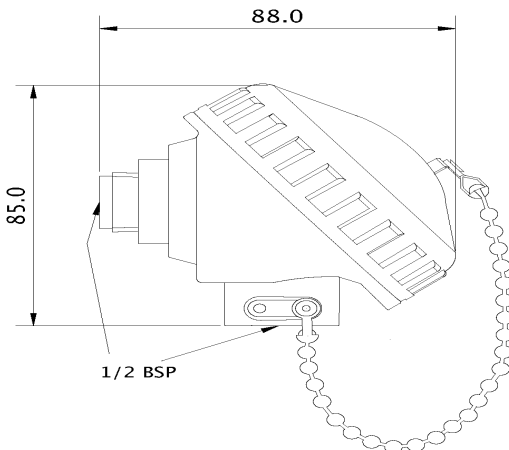
**Overview**

- Cast aluminium ,IP67 screw cover head with captive gasket
- One turn cover removal & installation eliminates cross threading and saves time
- 1/2" BSP conduit opening with internal stop to prevent overtightening and installation damage
- Gripping ribs on cover edge
- Cover chain
- Others
- Requires others type of connection head & terminal base can be upon request

| <b>Aluminum Connection Head</b> |  |
|---------------------------------|--|
| <b>Part Number</b>              | <b>Description</b>   |
| <b>A1KNE-0</b>                  | General purpose screw cover connection head for temperature probe ,die-cast aluminum, 1/2" BSP process opening, 1/2" BSP conduit opening, IP67 rated ,gasket, maximum temperature rating ( 440 °c) |

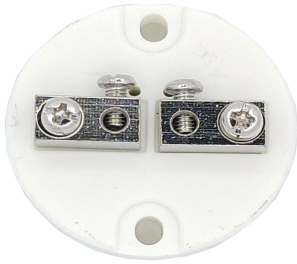
**Dimension : (mm)**

**A1KNE - 0**



# Connection Head and Ceramic Terminal Bases

**A1KNE - 2PC**



**A1KNE - 3PC**



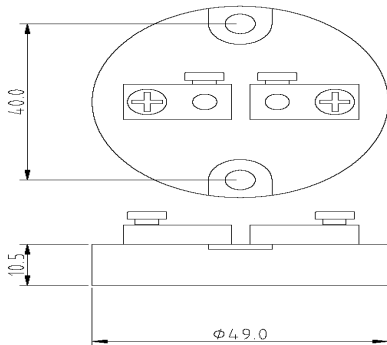
**Overview**

- Available with two terminals or three terminal for RTD's
- Fits A1KNE-0 connection head
- Ceramic base with terminals and screws
- Accepts to 12 AWG wire

| Aluminum Connection Head |  |
|--------------------------|--|
| Part Number              | Description  |
| <b>A1KNE-2PC</b>         | Ceramic terminal base ,two terminals with screws, for use with temperature probe connection heads ,two mounting screws included.   |
| <b>A1KNE-3PC</b>         | Ceramic terminal base, three terminals with screws, for use with temperature probe connection heads ,two mounting screws included. |

**Dimension : (mm)**

**A1KNE - 2PC**



**A1KNE - 3PC**

