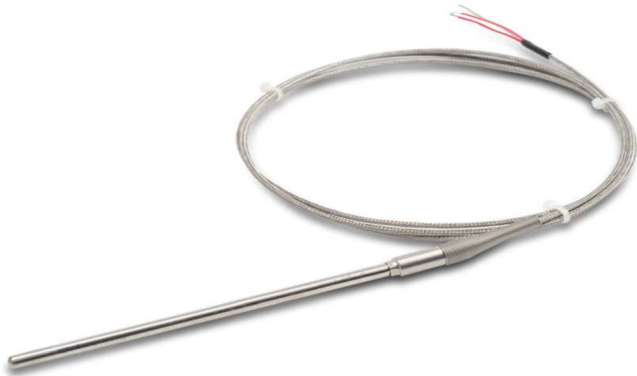


## RTD Probes with Lead Wire Transition

**A1RTD1-TXXL06-01**



### Overview

- All temperature sensors are custom made standard item
  - 100 ohm platinum RTD 3-wire element
  - Class A accuracy
  - Ø6.35mm diameter, 316 SS stainless steel sheath to protect against harsh environments
  - RTD element encased in Magnesium Oxide (MgO) powder insulation provides excellent vibration dampening and heat transfer
  - 150mm, 300mm, 450mm probe length
  - Heavy duty lead wire transition with relief spring
  - 2 meters lead wire with fiberglass insulation and stainless steel overbraid
- Others
  - Required others type of RTD sensor ,specification & temperature range can be custom made upon request.

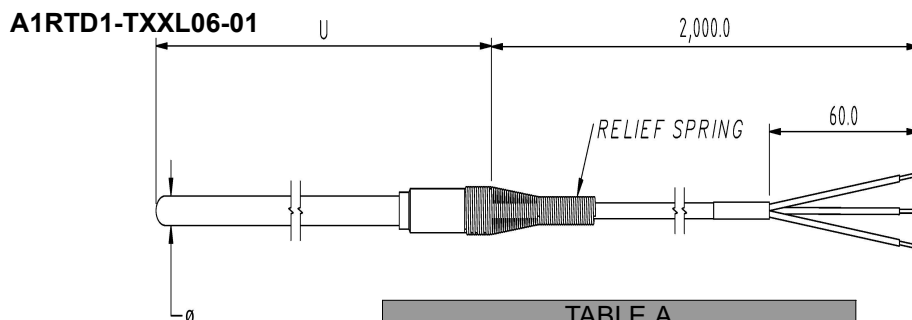
### RTD Probes with Lead Wire Transition

| Part Number      | RTD Type         | Probe Diameter ( O.D) | Probe Length | Temperature Sensing Range |
|------------------|------------------|-----------------------|--------------|---------------------------|
| A1RTD1-T06L06-01 | PT-100<br>3 wire | 6.35mm                | 150mm        | -200 to 300°C             |
| A1RTD1-T12L06-01 |                  |                       | 300mm        |                           |
| A1RTD1-T18L06-01 |                  |                       | 450mm        |                           |

### Technical Specifications

|                                   |   |
|-----------------------------------|---|
| <b>Sensing Element</b>            | Single 100 ohm platinum (PT 100) , 3 wire   |
| <b>Initial Accuracy</b>           | Class A +/- [0.15 + 0.002  t  ] ° C   |
| <b>Probe</b>                      | Ø6.35mm ,316 stainless steel sheath,single RTD is embedded in MgO powder                        |
| <b>Minimum Installation Depth</b> | (76mm)  |
| <b>Wiring</b>                     | 2 meters stranded 24AWG wire leads with stripped ends, fiberglass and stainless steel overbraid |

### Dimension



| TABLE A          |          |
|------------------|----------|
| PART NUMBER      | U LENGTH |
| A1RTD1-T06L06-01 | 150mm    |
| A1RTD1-T12L06-01 | 300mm    |
| A1RTD1-T18L06-01 | 450mm    |

### Wiring Information

