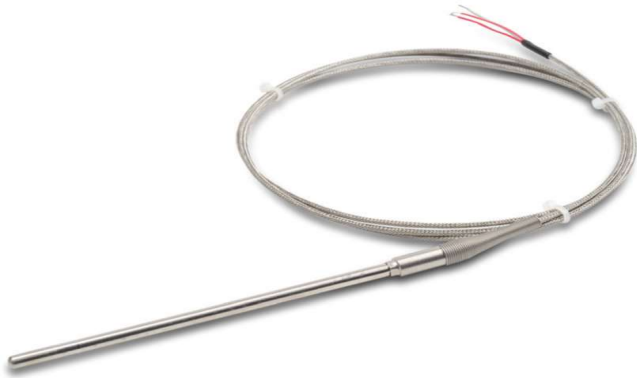


RTD Probes with Lead Wire Transition

A1RTD1-TXXL06-01



Overview

- All temperature sensors are custom made standard item
 - 100 ohm platinum RTD 3-wire element
 - Class A accuracy
 - Ø6.35mm diameter, 316 SS stainless steel sheath to protect against harsh environments
 - RTD element encased in Magnesium Oxide (MgO) powder insulation provides excellent vibration dampening and heat transfer
 - 150mm, 300mm, 450mm probe length
 - Heavy duty lead wire transition with relief spring
 - 2 meters lead wire with fiberglass insulation and stainless steel overbraid

- Others
 - Required others type of RTD sensor ,specification & temperature range can be custom made upon request.

RTD Probes with Lead Wire Transtion				
Part Number	RTD Type	Probe Diameter (O.D)	Probe Length	Temperature Sensing Range
A1RTD1-T06L06-01	PT-100 3 wire	6.35mm	150mm	-200 to 300°C
A1RTD1-T12L06-01			300mm	
A1RTD1-T18L06-01			450mm	

Technical Specifications	
Sensing Element	Single 100 ohm platinum (PT 100) , 3 wire
Initial Accuracy	Class A +/- [0.15 + 0.002 t] ° C
Probe	Ø6.35mm ,316 stainless steel sheath,single RTD is embedded in MgO powder
Minimum Installation Depth	(76mm)
Wiring	2 meters stranded 24AWG wire leads with stripped ends, fiberglass and stainless steel overbraid

Dimension

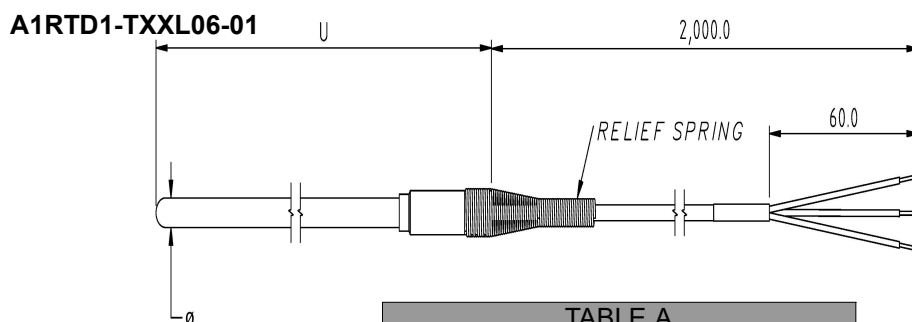


TABLE A	
PART NUMBER	U LENGTH
A1RTD1-T06L06-01	150mm
A1RTD1-T12L06-01	300mm
A1RTD1-T18L06-01	450mm

Wiring Information

